

WMI (Wind Stopping 14) Series

Unheated

Model Lengths: 48"–192"

Environmental Separation (up to 16')

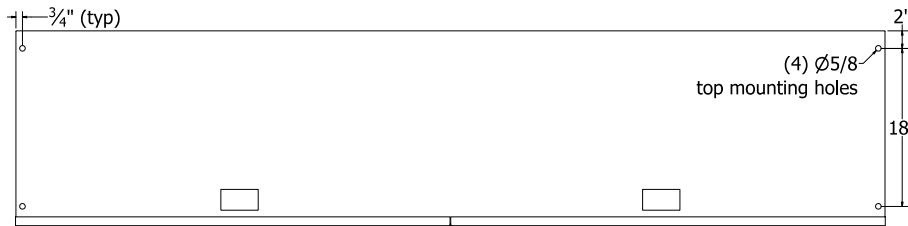
Insect Control (up to 14')



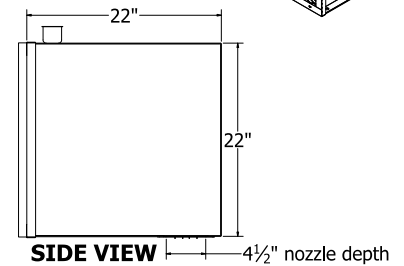
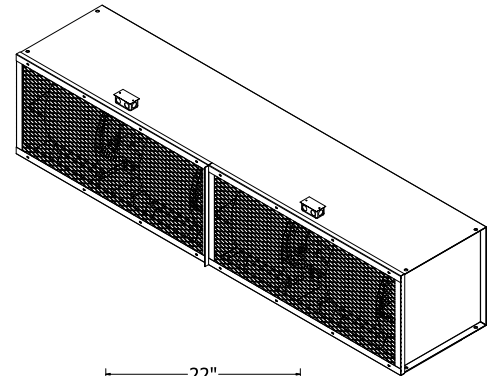
atmosphere is everything

14716 S. BROADWAY, GARDENA, CA 90248 • Ph: (310)532-1555 • Fax: (310)-532-3030 • www.marsair.com

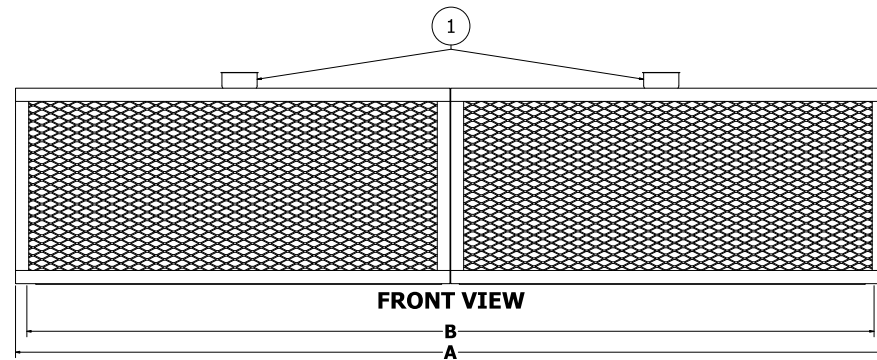
© Copyright Mars Air Systems, LLC 2014



TOP VIEW



SIDE VIEW



FRONT VIEW



Notes:

1. External 2"x4" junction boxes for electrical wiring provided on top of unit above each motor
2. Recommended service clearances are 6" to the left and right sides, 12" on top, and 24" in front of the unit.
3. Circuit protection (per NEC) to be installed by others.
4. To prevent accidental damage during operation, unit must be installed so that the bottom of the air curtain does not extend below the door header.
5. Unit can be suspended from overhead on both ends without intermediate support.

| Model Number | Mechanical Data | | | | Lab Data | | AMCA Certified Lab Data | | | |
|---|-----------------------|----------------------|------------|-------------|--------------------|------------------|-------------------------|--------------|----------------|---------------------|
| | Overall Length A (in) | Nozzle Length B (in) | Motor (hp) | Weight (lb) | Max Velocity (fpm) | Max Volume (cfm) | Avg Velocity (fpm) | Volume (cfm) | Uniformity (%) | Power Rating (watt) |
| <input type="checkbox"/> WMI48-1U*-TS † | 51 | 48 | 2 | 260 | 5500 | 8250 | 2614 | 3921 | 92 | 2130 |
| <input type="checkbox"/> WMI60-1U*-TS † | 63 | 60 | 3 | 305 | 5200 | 9750 | 3205 | 4737 | 90 | 2650 |
| <input type="checkbox"/> WMI72-1U*-TS † | 75 | 72 | 3 | 345 | 5800 | 13050 | 3009 | 6711 | 86 | 3170 |
| <input type="checkbox"/> WMI96-2U*-TS | 99 | 96 | (2) 2 | 515 | 5500 | 16500 | 2614 | 7842 | 92 | 4260 |
| <input type="checkbox"/> WMI108-2U*-TS† | 111 | 108 | (2) 3 | 570 | 4900 | 16538 | 2920 | 9314 | 84 | 5380 |
| <input type="checkbox"/> WMI120-2U*-TS | 123 | 120 | (2) 3 | 610 | 5200 | 19500 | 3205 | 9474 | 90 | 5600 |
| <input type="checkbox"/> WMI144-2U*-TS | 147 | 144 | (2) 3 | 695 | 5800 | 26100 | 3009 | 13422 | 86 | 6340 |
| <input type="checkbox"/> WMI168-3U*-TS | 171 | 168 | (3) 3 | 880 | 4900 | 25725 | 2920 | 15060 | 84 | 8070 |
| <input type="checkbox"/> WMI192-4U*-TS | 195 | 192 | (4) 2 | 1030 | 5500 | 33000 | 2614 | 15684 | 92 | 8520 |

* – Use corresponding letters in "Electrical Data" column headers (see page 2) to complete the model numbers. Note: above data is for 60 Hz at 850 RPM. For 50 Hz, RPM is 700 with a 17% reduction in performance.

- The AMCA Certified Ratings Seal applies to airflow rate, average outlet velocity, outlet velocity uniformity, velocity project, and power rating at free delivery only.
- † Limited availability, long lead times may apply.

NOTE: Mars Air Systems, LLC reserves the right to change specifications and product design without notice. Such revisions do not entitle the buyer to corresponding changes, improvements, additions, or replacements for previously purchased equipment.

WMI (Wind Stopping 14) Series

Unheated

Model Lengths: 48"–192"

Environmental Separation (up to 16')

Insect Control (up to 14')



atmosphere is everything

14716 S. BROADWAY, GARDENA, CA 90248 • Ph: (310)532-1555 • Fax: (310)-532-3030 • www.marsair.com
© Copyright Mars Air Systems, LLC 2014

Standard Features:

- ❖ ETL-certified to conform to UL 507 (US) and CSA 22.2 (Canada) standards, for indoor/outdoor use
- ❖ AMCA-certified to AMCA 211 (includes performance testing per AMCA 220)
 - Certified models are approved for use as alternate to vestibules (per ASHRAE 90.1, IECC, and IgCC)
- ❖ Self-contained one-piece heavy-gauge corrosion-proof paint lock metal design
- ❖ Fire retardant and rust preventative electrostatic polyurethane powder coating
 - Standard color is Titanium Silver (TS)
- ❖ 2 to 3 HP continuous duty Totally Enclosed Air Over (TEAO) motors (NEMA 1)
 - Direct drive system
- ❖ Adjustable air directional vanes with 40° sweep front to back
- ❖ Adjustable perforated volume dampers capable of reducing air velocity up to 50%
- ❖ 12-months parts warranty
- ❖ Freight not included
- ❖ Proudly made in the USA

| Electrical Data Full Load Amp (FLA) | Unit Amperage (Voltage Code) | | |
|---|---|---|---|
| | 208-230V/3Ø <input type="checkbox"/> (G) | 460V/3Ø <input type="checkbox"/> (H) | 575V/3Ø <input type="checkbox"/> (I) |
| <input type="checkbox"/> WMI48-1U*-TS † | 7.2/7.0 | 3.5 | 3.0 |
| <input type="checkbox"/> WMI60-1U*-TS † | 16.0/12.2 | 6.1 | 4.5 |
| <input type="checkbox"/> WMI72-1U*-TS † | 16.0/12.2 | 6.1 | 4.5 |
| <input type="checkbox"/> WMI96-2U*-TS | 14.4/14.0 | 7.0 | 6.0 |
| <input type="checkbox"/> WMI108-2U*-TS † | 32.0/24.4 | 12.2 | 9.0 |
| <input type="checkbox"/> WMI120-2U*-TS | 32.0/24.4 | 12.2 | 9.0 |
| <input type="checkbox"/> WMI144-2U*-TS | 32.0/24.4 | 12.2 | 9.0 |
| <input type="checkbox"/> WMI168-3U*-TS | 48.0/36.6 | 18.3 | 13.5 |
| <input type="checkbox"/> WMI192-4U*-TS | 28.8/28.0 | 14.0 | 12.0 |

* – Use corresponding letters in "Voltage Code" column headers to complete the model numbers.
† – Limited availability, long lead times may apply.

Ampacity (MCA) = total FLA x 1.25

Alternate voltage codes with FLA data:
-380-415V/3Ø/50Hz (W) – consult factory

Mars Recommended Accessories (see [catalog](#) for complete listing):

- ❖ **Door Limit Switches** (\$)
 - 99-125, Industrial surface mounted magnetic switch (controller required)
- ❖ **Controllers**
 - MCP‡-†U*, [Motor Control Panel](#), 120V control voltage (‡ = HP Code, † = # of Motors, * = Voltage Code) (\$)
 - Note:** possible HP codes = C (2 HP) or D (3 HP)
 - MCP-TD, Adjustable time delay, 1sec-100hr (panel required)
 - MCP-24V, Low voltage control option (panel required)
 - BMS-303, BMS for monitor and control (panel with MCP-24V required)
 - Note:** Dry contact provided in panel for monitoring motor. 24Vac signal provided from panel for controlling motor.

| AMCA Certified Projection Velocity | | |
|------------------------------------|---------------------------|-----------------------------|
| Model | Distance from Nozzle (in) | Average Core Velocity (fpm) |
| WMI60-1U* | 36 | 2180 |
| | 84 | 1493 |
| | 132 | 1240 |

Severe Duty and Finish

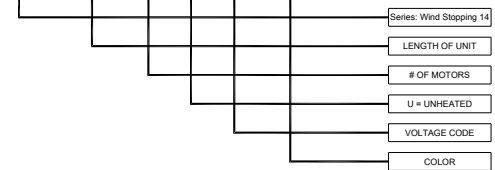
- HSG-304SS-WM, 304 Stainless steel housing construction (per foot)
 - INS-WD-WM, Washdown motor fan assembly, IP54
 - INS-XP-WMI, Explosion resistant motor fan assembly, Class 1, Division 1, Group D (TENV)
 - Note:** Washdown and explosion proof units draw higher motor amperage. Control panels for these units require OL/MP with higher amperage range (use MCP-MWD or MCP-MXP accessory).
- (S) = Shipped loose

Sound Levels (measured at 10' in a free field):

2 Motor Unit = 66 dBA, 3 Motor Unit = 67 dBA, 4 Motor Unit = 68 dBA

EXAMPLE

WMI 144 - 2 U H - TS



MARS Air Systems, LLC certifies that the Air Curtains shown on this data sheet are licensed to bear the AMCA seal. The ratings shown are based on tests and procedures performed in accordance with AMCA Publication 211 and comply with the requirements of the AMCA Certified Ratings Program.
The AMCA Certified Ratings Seal applies to airflow rate, average outlet velocity, outlet velocity uniformity, velocity projection and power rating at free delivery only.

NOTE: Mars Air Systems, LLC reserves the right to change specifications and product design without notice. Such revisions do not entitle the buyer to corresponding changes, improvements, additions, or replacements for previously purchased equipment.