

Walk-In Cooler Submittals

LPV236 & WA236



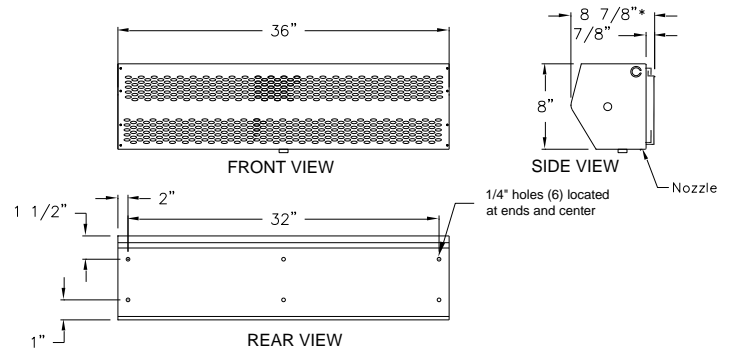
atmosphere is everything

14716 S. BROADWAY, GARDENA, CA 90248 • Ph: (310)532-1555 Fax: (310)532-3030 • www.marsair.com
© Copyright Mars Air Systems, LLC 2014

Model Number	Color	Warranty Period (Parts Only)	Mechanical Data				Lab Data				Electrica Data	
			Overall Nozzle Length (in)	Motor (hp)	Weight (lbs)	Sound Level dBA (at 10' free field)	Max Velocity (Hi Speed) (fpm)	Max Volume (Hi Speed) (cfm)	Velocity (Low Speed) (fpm)	Volume (Low Speed) (cfm)	115v/1Ø/60Hz	
											Full Load Amps (FLA)	Ampacity (FLA x 1.25)
WhispurrAir2 (WA2)												
WA236-1UA-PW-CS	Pearl White	1 Year	40	1/3	24	55	2265	1177	1870	1001	1.67	3.00
LoPro (LPV2)												
LPV236-1UA-OB-CS	Obsidian Black	5 Year	36	1/6	32	49	1800	900	1170	585	2.40	3.00
LPV236-1UA-PW-CS	Pearl White											

Features:

- ❖ Repels infiltration of hot and humid air into the cooler
- ❖ Minimizes condensation and ice buildup in the cooler
- ❖ Reduces cooling load and electrical power consumption
- ❖ Walk-in cooler kit includes solid-state controls and non-thermal transfer mounting hardware
- ❖ Factory wired for easy field installation and wiring
- ❖ Customizable controls to suit field conditions
- ❖ Variable speed controller (LPV2 models only)
- ❖ 1/6 & 1/3 HP continuous duty motors
- ❖ ETL-certified to conform to UL 507 (US) and CSA 22.2 (Canada) standards (Indoor/Outdoor Use)
- ❖ Rust preventative electrostatic polyurethane powder coating
- ❖ 5 year parts warranty for LPV2
- ❖ 1 year parts warranty for WA2
- ❖ Freight included (FOB continental USA)
- ❖ Proudly Made in the USA



Mars Recommended Accessories:

- ❖ Heated options available for freezer applications
- ❖ Brackets
 - B0004, Adjustable mounting bracket set, 3 1/2" clearance
 - 09-500, Vertical mounting bracket for LPV2 series
- ❖ Filters
 - J05**, 1/4" aluminum pressed frame bank filters for LPV2 (** = Model Length)
- ❖ Specialty Application
 - B0101, Side vinyl baffle kit, 14' Height, 12" Width

NOTE: MARS AIR SYSTEMS, LLC reserves the right to change specifications and product design without notice. Such revisions do not entitle the buyer to corresponding changes, improvements, additions, or replacements for previously purchased equipment.