



atmosphere is everything

14716 S. Broadway • Gardena, CA 90248 • USA  
 TEL: (310) 532-1555 • (800) 421-1266 • FAX: (310) 324-3030  
 Web Site: www.marsair.com • E-mail: info@marsair.com

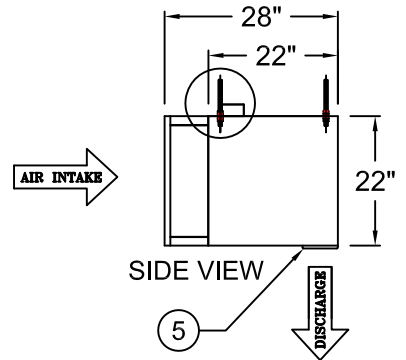
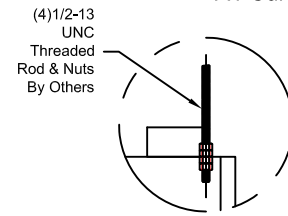
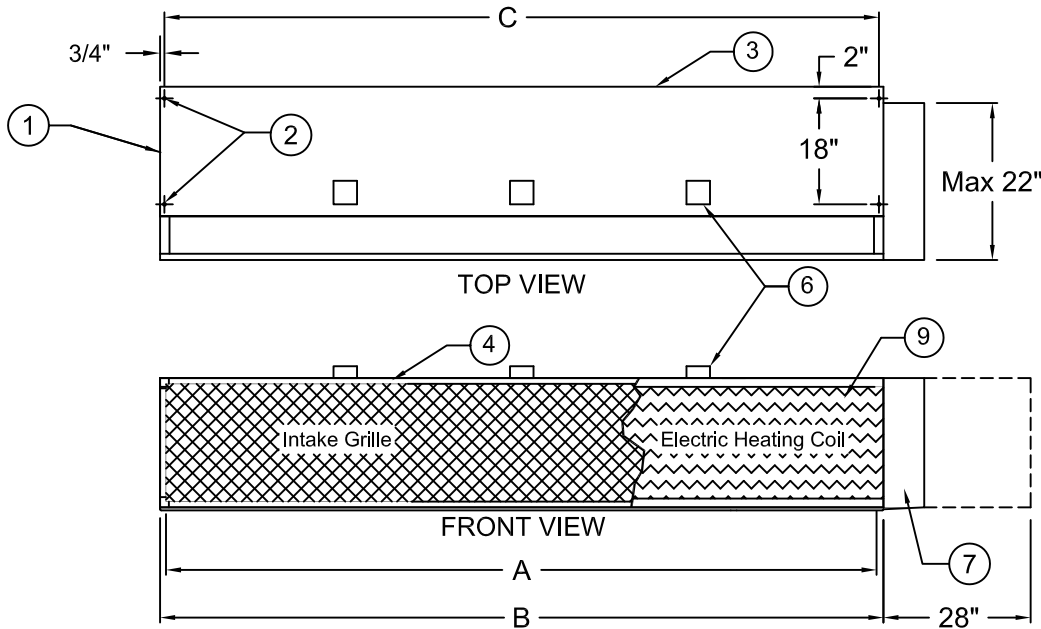
PROJECT		OPTIONS/ITEMS	
TITLE			
COMMENTS		DATE 4/14/15	PAGE
		REV. NO	
MODEL NO. WMI Series	DRAWING NO WMIE-F	DRAWN BY NT	CHECKED BY
		FILE NAME	

## Electric Heated Drawing

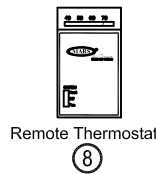
### WMI (Wind Stopping 14) Series



C US  
Air Curtain Only



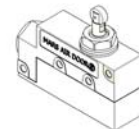
### 9 10 Recommended Accessories



Remote Thermostat



Remote Control Panel



Door Limit Switches

\*- Use corresponding letters in "Electrical Data" columns to complete the model numbers.

MODEL NUMBER	NOZZLE LENGTH A (in)	OVERALL LENGTH B (in)	MOUNTING CENTER C (in)
WMI96-2E*-TS	96	99	97 1/2
WMI120-2E*-TS	120	123	121 1/2
WMI144-2E*-TS	144	147	145 1/2
WMI168-3E*-TS	168	171	169 1/2
WMI192-4E*-TS	192	195	193 1/2

### Notes:

- This product is designed to meet the National Electric Code (NEC) and is CSA Listed.
- (4) 5/8" mounting holes provided on for overhead mounting provided, (2) on each end.
- All units have a self contained one piece cabinet, fire retardant and corrosion proof paint lock metal double protected with baked on Titanium Silver color, rust preventative electrostatic polyurethane powder coating.
- Cabinet is to be mounted from overhead and has sufficient strength for suspension from both ends without intermediate support.
- Unit is to be installed such that air flow is unobstructed. Unit has a 4.5" air discharge nozzle containing adjustable air directional vanes with 40° sweep front to back. To prevent unit damage, the air curtain must be installed such that the bottom of the air curtain is not below the door header.
- Units are direct drive. One external top mounted 2"x4" J-box provided above each motor.
- Electric heater shown with heater component panel on right side, as standard. (Note: This is not the same as the optional remote air curtain unit control panel, see note 10.) Optional left hand mounting available. Special remote mounted heater component panel available for installations with space limitations. Contact factory for details and minimum installation space requirements.
- Wall mounted 24 volt thermostat with remote "heat/off/fan" switch is shipped loose and field installed. Terminal block provided inside control panel.
- Circuit protection as per NEC by others.
- Optional remote air curtain unit control panel and door limit switch are field installed and wired by others. The remote air curtain unit control panel is required when a door limit switch is used to automatically turn the air curtain on as door begins to open. Special remote mounted heater component panel (see note 7) is integrated with the optional remote air curtain unit control panel when the two options are selected.

# WMI (Wind Stopping 14) Series

Electric Heated

Model Lengths 96" – 192"



atmosphere is everything

14716 S. BROADWAY, GARDENA, CA 90248 • Ph: (310)532-1555 Fax: (310)532-3030 • [www.marsair.com](http://www.marsair.com)  
© Copyright Mars Air Systems, LLC 2014

## Electric Heated Data Sheet

**Applications: Environmental Separation: Max Height 16' / Insect Control: Max Height 14'**

WMI (Wind Stopping 14)	Mechanical Data						Lab Data					
	Model Number	Nozzle Length (in)	Length (in)	Depth (in)	Height (in)	Motor (hp)	Weight (lbs)	Max Velocity (fpm)	Max Volume (cfm)	Avg Velocity (fpm)	Volume (cfm)	Uniformity (%)
WMI96-2E*-TS	96	107	28	22	Two 2	600	5500	16500	2614	7842	92	4260
WMI120-2E*-TS	120	131	28	22	Two 3	720	5200	19500	3205	9474	90	5600
WMI144-2E*-TS	144	155	28	22	Two 3	822	5800	26100	3009	13422	86	6340
WMI168-3E*-TS	168	179	28	22	Three 3	1026	4900	25725	2920	15060	84	8070
WMI192-4E*-TS	192	203	28	22	Four 2	1197	5500	33000	2614	15684	92	8520

\* - Use corresponding letters in "Electrical Data" & "Heater Wattage Data" columns to complete the model numbers.

### Features:

#### Air Curtain

- ❖ Continuous Duty TEAO Motors
- ❖ Sleek self-contained one-piece heavy gauge corrosion proof paint lock metal design
- ❖ Air curtain, excluding coils, shall be Canadian Standards Association Certified (CSA)
- ❖ (4) 5/8" Top and wall mounting holes provided
- ❖ Cabinet has sufficient strength for fastening to wall on both ends without intermediate support
- ❖ Adjustable air directional vanes with 40° sweep front to back
- ❖ Standard color is Titanium Silver
- ❖ Rust preventative electrostatic polyurethane powder coating
- ❖ 12-month parts warranty
- ❖ Freight Not Included (FOB Factory)
- ❖ Proudly Made in the USA

#### Electric Heater Coil and Wiring

- ❖ Electric Heaters are U.L. listed for "Zero Clearance"
- ❖ Coils are an open type for rapid temperature rise to be located in the air curtain's intake directly in the air stream
- ❖ Automatic and manual reset thermal overload protection provided
- ❖ Airflow pressure switch provided
- ❖ Controls internally mounted, prewired ready for power connection and accessible through the intake or top access panels
- ❖ A heat/off/fan switch is unit mounted at the bottom and the control voltage is 24 volts
- ❖ A wall mounted 24-volt thermostat is included (field wired and installed by others)

### Mars Recommended Accessories (See Submittals for additional details):

- ❖ Door Limit Switches
    - 99-125, Industrial surface mounted magnetic switch (controller required)
  - ❖ Controllers
    - MCP\*-†E\*, Motor Control Panel, 120V control voltage (\* = HP Code [C for 2 HP, D for 3 HP], † = # of Motors, \* = Voltage Code)
      - MCP-TD, Adjustable time delay, 1sec-100hr (panel required)
      - MCP-24V, Low voltage control option (panel required)
      - BMS-306, BMS for monitor and control (panel required with MCP-24V)
- Note: Dry contact provided in panel for monitoring motor. 24Vac signal provided from panel for controlling motor

### Sound Levels: (measured at 10' in an open field)

2 Motor Unit = 66 dBA, 3 Motor Unit = 67 dBA & 4 Motor Unit = 68 dBA

Electrical Data (FLA)	Unit Voltage (Voltage Code)		Heater Wattage Data	
	460v/3Ø (H)	575v/3Ø (I)	kW	Temp Rise (°F)
WMI96-2E*-TS	102.0	75.4	75	30.2
WMI120-2E*-TS	109.8	78.4	78	26.0
WMI144-2E*-TS	150.0	110.5	110	25.9
WMI168-3E*-TS	173.5	124.6	124	26.0
WMI192-4E*-TS	205.3	151.7	151	30.4

\* - Use corresponding letters in "Electrical Data" columns to complete the model numbers.

Note: For Ampacity Multiply FLA X 1.25

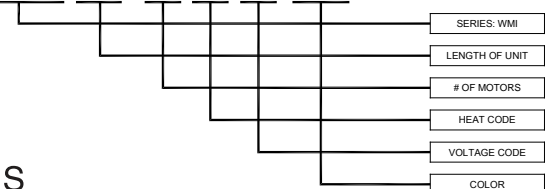
Model Number	Motor Amperage	
	460v/3Ø (H)	575v/3Ø (I)
WMI96-2E*-TS	7.0	4.6
WMI120-2E*-TS	10.6	4.6
WMI144-2E*-TS	10.6	4.6
WMI168-3E*-TS	15.9	6.9
WMI192-4E*-TS	14.0	9.2

\* - Use corresponding letters in "Electrical Data" columns to complete the model numbers.

Note: For Ampacity Multiply FLA X 1.25

EXAMPLE

WMI 168-3 E E - TS



Air Curtain Only