

Disconnect Switches



Fused and Non-fused

atmosphere is everything

14716 S. BROADWAY, GARDENA, CA 90248 • Ph: (310)532-1555 Fax: (310)-532-3030 • www.marsair.com
© Copyright Mars Air Systems, LLC 2014

Disconnect Switches

Switch Model Number	Description
Standalone - Non-fused Disconnects (Remote Mounted)	
99-176	Switch, Disconnect, Non-Fused, 600v, 20A, 3 Pole, NEMA 1 Enclosure (Rmt Mntd By Others)
99-122	Switch, Disconnect, Non-Fused, 600v, 32A, 3 Pole, NEMA 1 Enclosure (Rmt Mntd By Others)
99-123	Switch, Disconnect, Non-Fused, 600v, 80A, 3 Pole, NEMA 1 Enclosure (Rmt Mntd By Others)
Standalone - Fused Disconnects Kits with Fuses (Remote Mounted)	
99-008-**	Kit, Switch, Disconnect, Fused, 240v, 5-30A, 3 Pole, NEMA 3R Enclosure (Rmt Mntd By Others)
99-009-**	Kit, Switch, Disconnect, Fused, 240v, 35-60A, 3 Pole, NEMA 3R Enclosure (Rmt Mntd By Others)
99-010-**	Kit, Switch, Disconnect, Fused, 600v, 5-30A, 3 Pole, NEMA 3R Enclosure (Rmt Mntd By Others)
99-011-**	Kit, Switch, Disconnect, Fused, 600v, 35-60A, 3 Pole, NEMA 3R Enclosure (Rmt Mntd By Others)
Panel/Unit* Mounted - Non-fused Disconnects (Internally Mounted)	
99-165	Switch, Disconnect, Non-Fused, 600v, 20A, 3 Pole, NEMA 1 (Pnl/Unit Mntd)
99-144	Switch, Disconnect, Non-Fused, 600v, 32A, 3 Pole, NEMA 1 (Pnl/Unit Mntd)
99-145	Switch, Disconnect, Non-Fused, 600v, 60A, 3 Pole, NEMA 1 (Pnl/Unit Mntd)
Panel/Unit* Mounted - Fused Disconnects Kits with Fuses (Internally Mounted)	
99-153-**	Kit, Switch, Disconnect, Fused, 300v, 5-30A, 3 Pole, NEMA 1 (Pnl/Unit Mntd)
99-154-**	Kit, Switch, Disconnect, Fused, 300v, 35-60A, 3 Pole, NEMA 1 (Pnl/Unit Mntd†)
99-144-**	Kit, Switch, Disconnect, Fused, 600v, 5-30A, 3 Pole, NEMA 1 (Pnl/Unit Mntd)
99-145-**	Kit, Switch, Disconnect, Fused, 600v, 35-60A, 3 Pole, NEMA 1 (Pnl/Unit Mntd†)

** - Specify the nearest higher amperage to the motor nameplate amperage. (multiples of 5). ie. "05" for units with 5 total amp or less.

*Note: Unit mounted Fused and Non-fused disconnects are available for models as follows - STD2/HV2/EP2: 60A Max, LPV2 (Unheated): 32A Max, LPV2 (Electric heat): 3Ø 60A Max, 1Ø N/A

† - Limited compatibilities for the WM and BD Series due to space considerations. Only available as panel mounted.

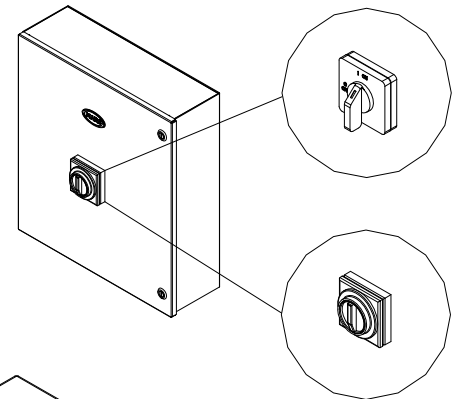
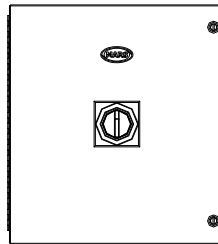
Features:

- ❖ UL Listed components
- ❖ Compact Size
- ❖ Disconnects and locks out power for servicing and inspection
- ❖ Circuit protection disconnect switches available for 300V or 600V
- ❖ Disconnect switch amperage rating listed in table description
- ❖ Kits available for varying load capacities as required
- ❖ Unit mounted disconnects have standard mounting configuration on right hand side of unit

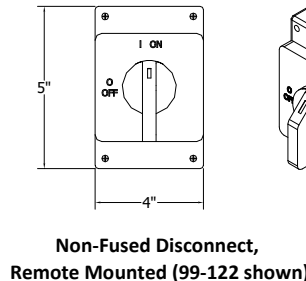
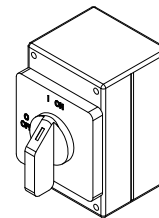
Options and Accessories: Contact Factory

- ❖ Additional NEMA, voltage and amperage ratings available
- ❖ Rotary or Handle options available
- ❖ Lockable switches or covers available
- ❖ Factory installation and wiring of remote switches available

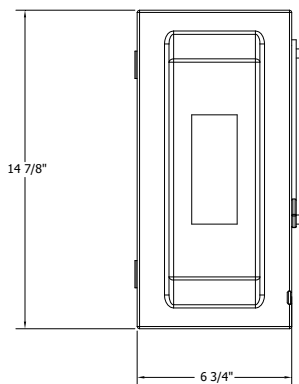
**Non-Fused Disconnect,
Remote Mounted (99-165 shown)**



**Fused Disconnect,
Panel Mounted (99-144 shown)**



**Non-Fused Disconnect,
Remote Mounted (99-122 shown)**



**Fused Disconnect,
Remote Mounted (99-009-** shown)**

NOTE: MARS AIR SYSTEMS, LLC reserves the right to change specifications and product design without notice. Such revisions do not entitle the buyer to corresponding changes, improvements, additions or replacements for previously purchased equipment.