

Brackets

All Unheated, Electric, Hot Water and Steam Heated Series

(Excludes the WM and BD series and all Gas Fired Models)



atmosphere is everything

14716 S. BROADWAY, GARDENA, CA 90248 • Ph: (310) 532-1555 Fax: (310) 532-3030 • www.marsair.com
© Copyright Mars Air Systems, LLC 2014

Brackets

Brackets	Description	Part Number*
Adjustable Mounting Bracket	Kit, Bracket, Mounting, Adj, Stl, 3 1/2" Clearance, OB, (Set of two)	J0741
Adjustable Combination Mounting Bracket	Kit, Bracket, Mounting, Adj, Stl, 7", 9", 11" & 13" Clearance, OB, (Set of two)	J0702
Side Extension Plate	Kit, Bracket, Mounting, Side Extension, 4", 6", 8" & 10" Clearance, OB (Set of two)	J0731
Extended Wall Mounting Brackets	Kit, Bracket, Mounting, Extended Wall, Stl, 10" Clearance, OB, (Set of Two)	J0008G-OB
	Kit, Bracket, Mounting, Extended Wall, Stl, 16" Clearance, OB, (Set of Two)	J0009G-OB
	Kit, Bracket, Mounting, Extended Wall, Stl, 19" Clearance, OB, (Set of Two)	J0010G-OB
	Kit, Bracket, Mounting, Extended Wall, Stl, 23" Clearance, OB, (Set of Two)	J0011G-OB
Top Mounting Brackets	Kit, Bracket, Unheated Top Mounting, LPV2, per unit, OB, (Set of two)	09-057OB
	Kit, Bracket, Heated Top Mounting, LPV2, per unit, OB, (Set of two)	09-056OB
Transom Mounting Brackets	Kit, Bracket, Transom Mounting, STD2, per unit, OB, (LH & RH), (Set of two)	09-058-OB
	Kit, Bracket, Transom Mounting, LPV2, OB, (LH & RH), (Set of two)	J0041

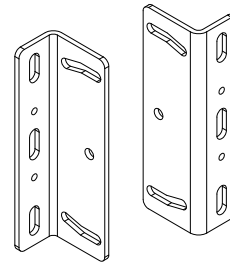
* *Non standard colors and materials available at additional costs: TS-Titanium Silver, PW-Pearl White, SS-Stainless Steel*

Features:

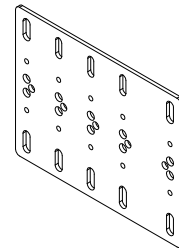
- ❖ Specifically designed to be used for the Mars Air Curtains
- ❖ Heavy duty 1/4" steel construction
- ❖ All brackets are provided as a set of 2 (Tandem units require 1 set per unit)
- ❖ Rust preventative electrostatic polyurethane powder coating
- ❖ Unit and wall mounting hardware provided by others
- ❖ Shipped loose for field installation by others
- ❖ 1 year parts warranty
- ❖ Proudly Made in the USA

Adjustable Mounting Bracket

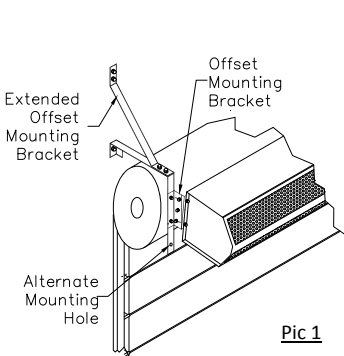
- ❖ Designed to clear small obstructions above the opening or mounting location (see pic 2)
- ❖ Typically used for sectional type doors, vertical lift or garage type
- ❖ Available with 3 1/2", 7", 9", 11", or 13" clearances
- ❖ Standard color is Obsidian Black



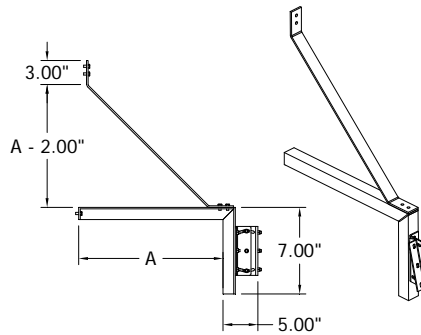
Adjustable Mounting Bracket
3.5" Clearance (J0741)



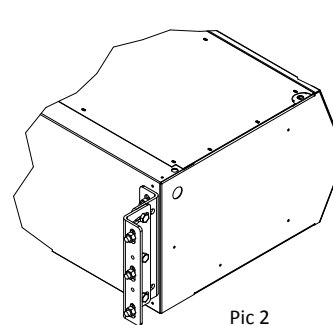
Combination Side Extension
Plate 4", 6", 8", & 10" (J0731)



Pic 1

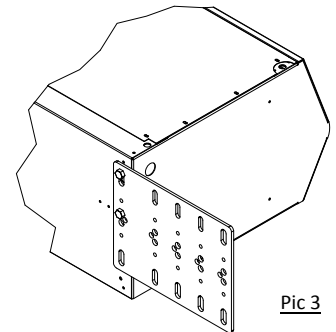


Extended Wall Mounting Brackets



Pic 2

STD2 Unit with Adjustable
Mounting Bracket (J0741)



Pic 3

STD2 with Combination Side
Extension Plate (J0731)

NOTE: MARS AIR SYSTEMS, LLC reserves the right to change specifications and product design without notice. Such revisions do not entitle the buyer to corresponding changes, improvements, additions or replacements for previously purchased equipment.

Brackets

All Unheated, Electric, Hot Water and Steam Heated Series

(Excludes the WM and BD series and all Gas Fired Models)



atmosphere is everything

14716 S. BROADWAY, GARDENA, CA 90248 • Ph: (310) 532-1555 Fax: (310) 532-3030 • www.marsair.com
© Copyright Mars Air Systems, LLC 2014

Extended Offset Mounting Brackets

- ❖ Designed to clear larger obstructions above the opening or mounting location
- ❖ Typically used for drum type doors and large pipes for water or ventilation (see pic 1)
- ❖ Set included 3 1/2" Offset Mounting Bracket as standard
- ❖ Compatible with optional 4", 7" or 10" Offset Mounting Brackets and Side Extension Plate
- ❖ Available with 10", 16", 19" or 23" clearances
- ❖ Standard color is Obsidian Black

Combination Side Extension Plates

- ❖ Designed to clear small obstructions on the ends of the opening or mounting location (see pic 3)
- ❖ Typically used to clear door tracks, small pipes and conduit on the edges of the opening
- ❖ Commonly used in conjunction with the Offset Mounting Bracket (see pic 4)
- ❖ Available with 4", 6", 8", or 10" clearances
- ❖ Standard color is Titanium Silver

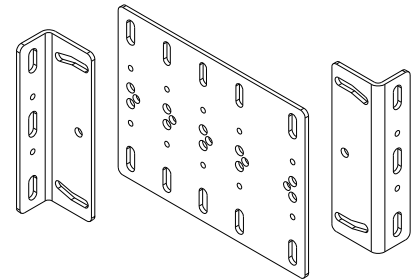
Top Mounting Brackets

- ❖ Designed for overhead mounting above the opening
- ❖ Typically used for glass doors or large transoms (see pic 5)
- ❖ May be used in conjunction with the Adjustable Mounting Bracket or Side Extension Plates (see pic 2)
- ❖ Standard color is Obsidian Black

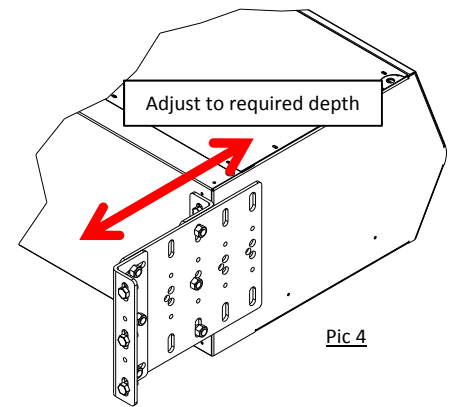
Transom Mounting Brackets

- ❖ Designed for transom mounting to the framed transoms above the opening
- ❖ Typically used for commercial applications, such as office and retail spaces (see pic 6)
- ❖ Not recommended for HV2 and EP2 units due to door frame weight capacity limitations
- ❖ Standard color is Obsidian Black

Note: All three types of brackets may be used together for the same installation (see on the right)



Adjustable Combination Mounting Bracket 7", 10", 11", 14" (J0702)

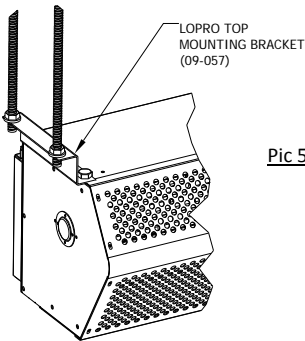


Pic 4

STD2 Unit with Adjustable Combination Mounting Bracket (J0702)

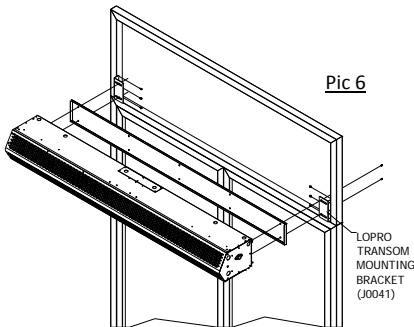
Options and Accessories:

- ❖ Custom colors and finishes (304SS & 316SS)

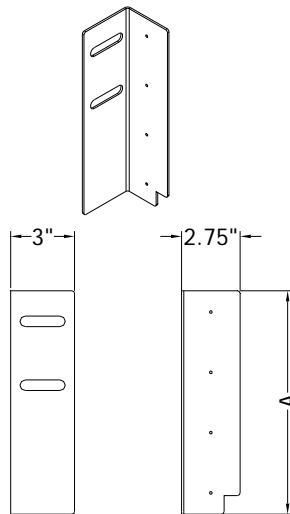


Pic 5

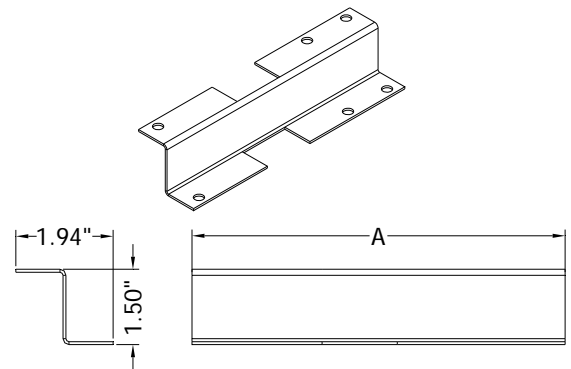
Part Number	Description	Dim "A"
09-057OB	Kit, Bracket, Unheated Top Mounting, LPV2, per unit, OB, (Set of two)	5"
09-056OB	Kit, Bracket, Heated Top Mounting, LPV2, per unit, OB, (Set of two)	7.44"
J0041	Kit, Bracket, Transom Mounting, LP, OB, (LH & RH), (Set of two)	7"
09-058	Kit, Bracket, Transom Mounting, STD2, per unit, OB, (LH & RH), (Set of two)	10.5"



Pic 6



Transom Mounting Brackets (J0041 & 09-058)



Lopro - Top Mounting Brackets (09-056OB & 09-057OB)

NOTE: MARS AIR SYSTEMS, LLC reserves the right to change specifications and product design without notice. Such revisions do not entitle the buyer to corresponding changes, improvements, additions or replacements for previously purchased equipment.