

Nozzle Extension

Model Lengths 36" – 72"



atmosphere is everything

14716 S. BROADWAY, GARDENA, CA 90248 • Ph: (310)532-1555 Fax: (310)532-3030 • www.marsair.com
© Copyright Mars Air Systems, LLC 2014

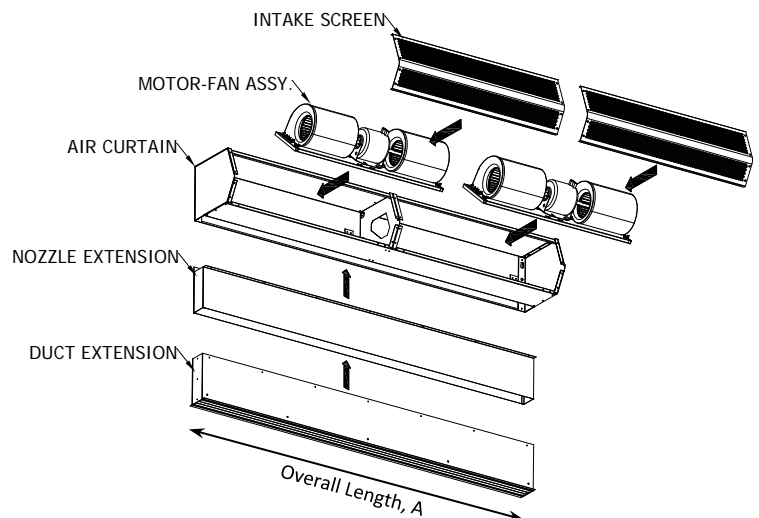
Nozzle Extension for Unheated and Heated Models

Model Number*	Overall Length A (in)	Air Curtain Series	Applicable Air Curtian Models Length (in)	Extension Range (in)	Nozzle Depth B (in)
10-336	36	STD2/N2/HV2/NH2/EP2	36	Adjustable, 9.5" to 16"	3 3/8"
10-342	42	STD2/N2/HV2/NH2/EP2	42, 84	Adjustable, 9.5" to 16"	3 3/8"
10-348	48	STD2/N2/HV2/NH2/EP2	48, 96	Adjustable, 9.5" to 16"	3 3/8"
10-360	60	STD2/N2/HV2/NH2/EP2	60, 120	Adjustable, 9.5" to 16"	3 3/8"
10-364	64	STD2/N2/HV2/NH2/EP2	64	Adjustable, 9.5" to 16"	3 3/8"
10-372	72	STD2/N2/HV2/NH2/EP2	72, 144	Adjustable, 9.5" to 16"	3 3/8"
10-092	36	LPV2/LPN2	36	Adjustable, 8" to 16"	2 11/16"
10-094	42	LPV2/LPN2	42, 84	Adjustable, 8" to 16"	2 11/16"
10-096	48	LPV2/LPN2	48, 96	Adjustable, 8" to 16"	2 11/16"
10-156	60	LPV2/LPN2	60, 120	Adjustable, 8" to 16"	2 11/16"
10-119	72	LPV2/LPN2	72, 144	Adjustable, 8" to 16"	2 11/16"

* Add color at end of model number: OB - Obsidian Black; TS - Titanium Silver

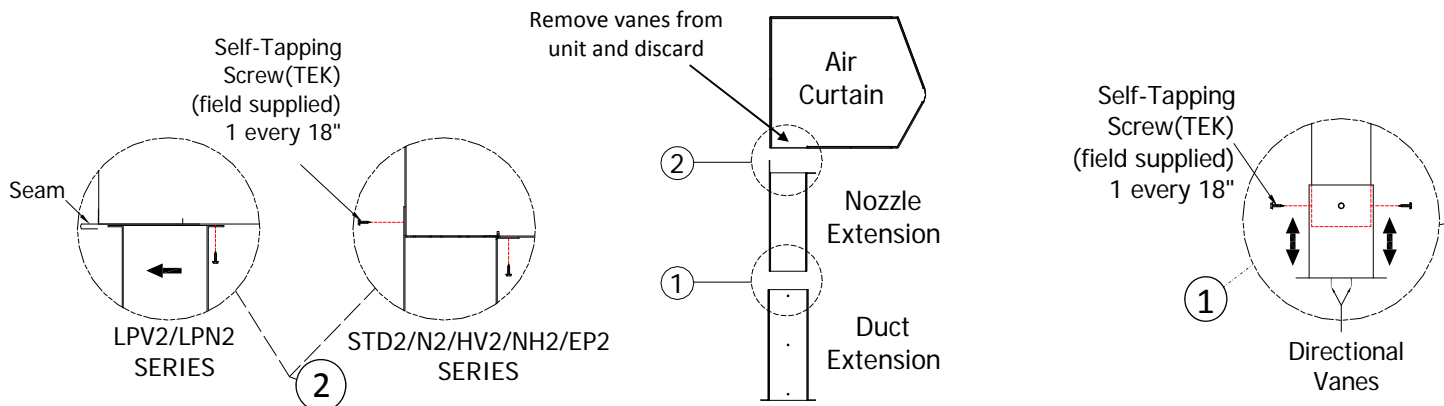
Features:

- ❖ This product is designed to be compatible with Mars Air Systems models. See table for model selection chart
- ❖ Standard color for LPV2/LPN2 and STD2/NH2 is Obsidian Black (OB) and for HV2/NH2/EP2 is Titanium Silver (TS)
- ❖ Shipped fully assembled
- ❖ Low profile self-contained one piece heavy gage corrosion proof paint lock metal design
- ❖ Lightweight construction for easy shipping and installation
- ❖ Trim pieces are included for clean installation
- ❖ Helps absorb noise produced by air flow
- ❖ Adjustable nozzle extension up to 16"
- ❖ Nozzle extension is designed to have minimum effect on air performance with no greater than 10 % reduction in projection velocity.
- ❖ Freight not included
- ❖ Proudly Made in the USA
- ❖ Field installation by others



Options and Accessories:

- ❖ Custom colors available (Obsidian Black, Titanium Silver, Pearl White, Stainless Steel)



Note: For STD2/N2/HV2/NH2/EP2 series, install nozzle extension to air curtain prior to mounting air curtain to wall

Note: Once unit and Nozzle extension are installed, adjust duct extension to ensure the bottom is about 1" above door header

NOTE: MARS AIR SYSTEMS, LLC reserves the right to change specifications and product design without notice. Such revisions do not entitle the buyer to corresponding changes, improvements, additions or replacements for previously purchased equipment.