

Walk-In Cooler Installation Kit

All LoPro2 1 Motor Unheated Models



atmosphere is everything

14716 S. BROADWAY, GARDENA, CA 90248 • Ph: (310)532-1555 Fax: (310)532-3030 • www.marsair.com
© Copyright Mars Air Systems, LLC 2014

Walk- in Installation Control Package	Description	Voltage/Phase
J0032	Kit, Controller, Walk-in Installation, LPV236-72, 115V, w/ Plas. Surface Mntd Mag. Reed Switch	115V, 1Ø
J0033	Kit, Controller, Walk-in Installation, LPV236-72, 208/230V, w/ Plas. Surface Mntd Mag. Reed Switch	208/230V, 1Ø

Features:

- ❖ Controller UR (UL Recognized) and rated for NEMA 1 (field installed by others)
- ❖ Used when low voltage automatic control of an air curtain(s) is required
- ❖ Compact control package for limited space installations
- ❖ Reed and Magnet have sleek compact design (must be within 3/8" of each other to energize and de-energize the air curtain)
- ❖ Single pole terminal (1P) normally closed (NC) and normally opened (NO) contact
- ❖ Non-metallic through bolt prevents transfer of heat to freezer/cooler
- ❖ ABS and steel mounting hardware included

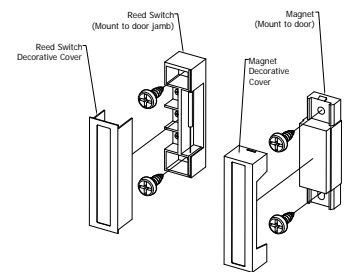
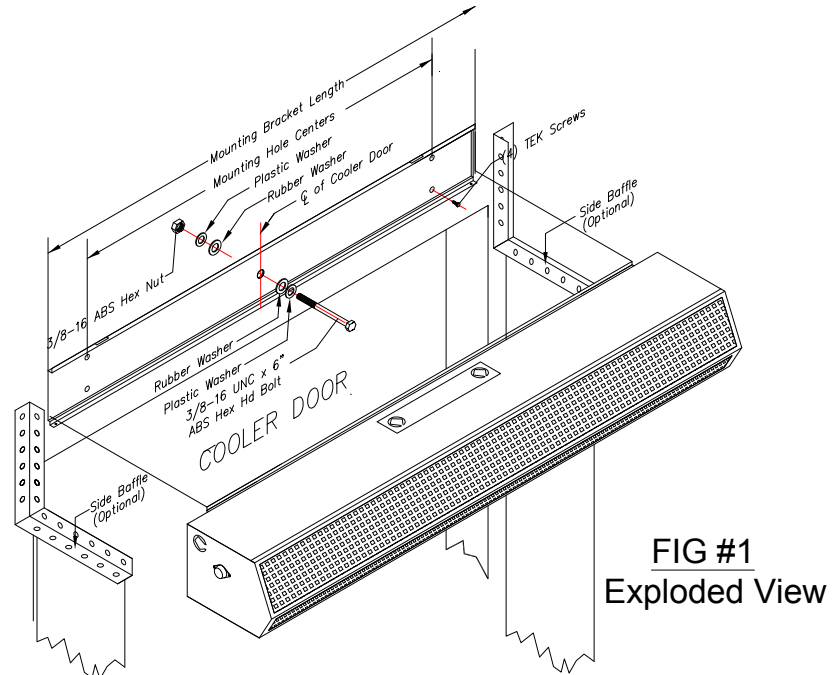
Options

- ❖ Side Baffles

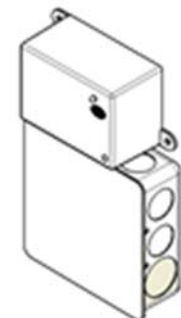
Installation Instructions for Optional Walk-In Cooler Installation Kit for all Unheated Models

Before starting installation read these instructions thoroughly

1. Determine the center line of the cooler door opening, measure 5" min. from the top door jamb or any other obstruction on the door. (Note: Air Curtain Must be mounted as close as possible to the top of the door opening, while also allowing the door to open freely without interfering with the air curtain.) Drill 7/16" Dia hole through cooler box wall. (See FIG #1)
2. Attach the mounting bracket utilizing the 3/8-16 UNC X 6" Long ABS bolt as shown in FIG #1. Place level on top of mounting bracket. When satisfied that bracket is level, secure in place with (4) Tek screws (2) on each end.
3. Install the air curtain by placing the mounting studs on rear of the air curtain, into the key hole slots on mounting bracket and push down until fully seated.
4. Install reed switch controller above suspended ceiling and mount the reed switch on face of cooler and the magnet on the face of the door as shown in Figs #2. The reed switch and magnet should be mounted as close as possible to the outer edge of the door (the edge opposite of the hinges). The space between switch & magnet may not exceed 3/8", when the door is closed. When the door opens the magnet should pull away from the reed switch and allow the air curtain to turn on.
5. Route (2) low voltage wire from the controller to the reed switch. Route (2) 18 ga. stranded wire from controller to junction box on air curtain & connect motor leads. Wire controller to customer's circuit protection as shown in Figs #3.
6. Set speed controller on air curtain to "High" Position.
7. Set air directional discharge vanes vertically to direct air flow straight down and parallel to cooler door opening.



Plastic Surface Mounted Magnetic Switch



Controller with Junction Box

NOTE: MARS AIR SYSTEMS, LLC reserves the right to change specifications and product design without notice. Such revisions do not entitle the buyer to corresponding changes, improvements, additions or replacements for previously purchased equipment.

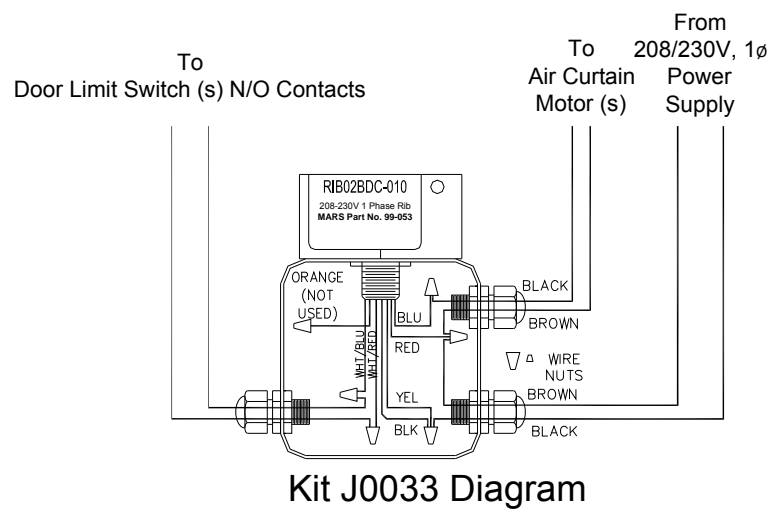
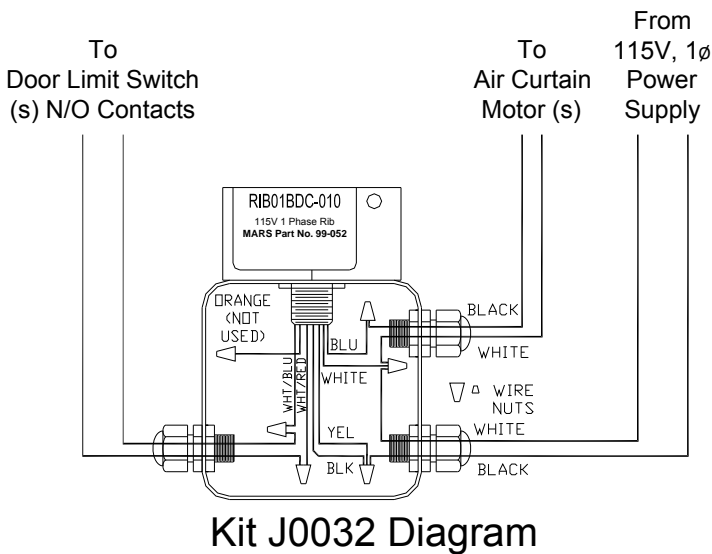
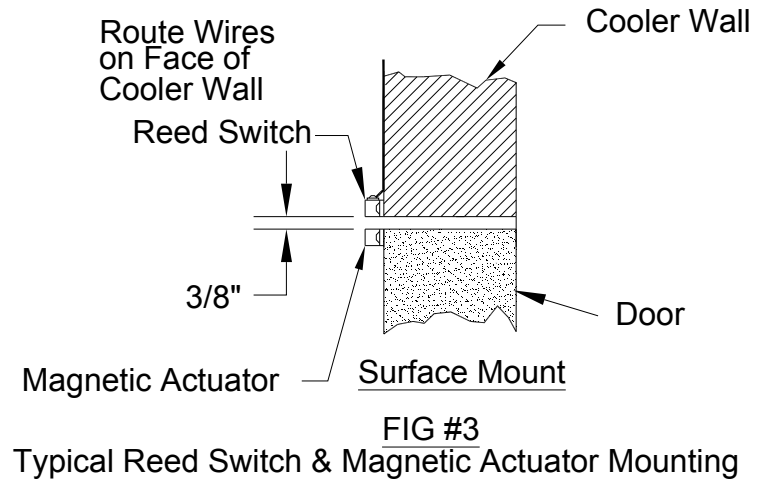
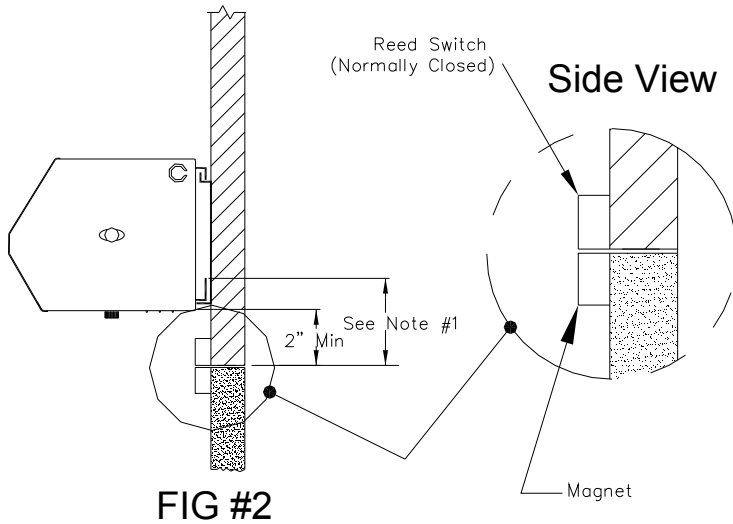
Walk-In Cooler Installation Kit

All LoPro2 1 Motor Unheated Models



atmosphere is everything

14716 S. BROADWAY, GARDENA, CA 90248 • Ph: (310)532-1555 Fax: (310)532-3030 • www.marsair.com
© Copyright Mars Air Systems, LLC 2014



NOTE: MARS AIR SYSTEMS, LLC reserves the right to change specifications and product design without notice. Such revisions do not entitle the buyer to corresponding changes, improvements, additions or replacements for previously purchased equipment.