

Thermostats



Line voltage to low voltage Models

atmosphere is everything

14716 S. BROADWAY, GARDENA, CA 90248 • Ph: (310)532-1555 Fax: (310)-532-3030 • www.marsair.com
© Copyright Mars Air Systems, LLC 2014

Thermostats

Thermostat Part #	Description	Applicable Air Curtain Series
99-063	Thermostat, 801, Line Voltage, Up to 250V, Analog, Single Stage, Single Pole	LPV2, WM/BD Electric & All Hot Water / Steam
99-064	Thermostat, 802, Line Voltage, Up to 250V, Analog, Two Stage, Double Pole	LPV2 Electric & All Hot Water / Steam
99-264	Thermostat, 9200H, 24 Volt, Analog, Single Pole, R.G.W.Y.B.O.	Elec STD2, HV2, EP2, PH & All Gas Fired
99-277	Thermostat, IC20-101, 24 Volt, Analog, Single Pole, R.W.	LPV2 Electric (Low Voltage Control option)
99-263	Thermostat, RS4110, 24 Volt, Digital, Single Pole, R.G.W.Y.B.O., Battery Power	Elec STD2, HV2, EP2, PH, WM/BD & All Gas Fired

Features:

- ❖ Allows automatic control of heated air
- ❖ Remote mounted (field installed by others)
- ❖ Temperature range from 50F to 90F
- ❖ Regulates the heat near the air curtain
- ❖ Analog Bimetal Temperature Sensing
- ❖ Thermostats are UR (UL Recognized)

Line Voltage (99-063, 99-064)

- ❖ Standard for LPV2 Electric and All Hot Water/Steam Heated models
- ❖ Single Phase, Single Pole, 250V max
- ❖ Remote Wall Mounted by others
- ❖ Requires Junction Box (J-Box field supplied and installed)

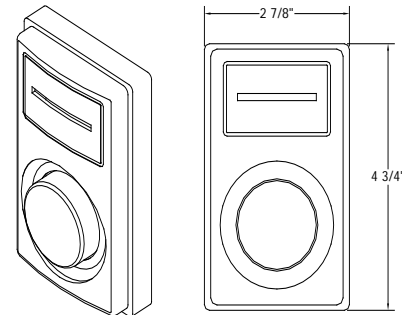
Low voltage (99-264, 99-277, 99-263)

- ❖ Standard for STD2, HV2, EP2, PH, WM/BD Electric and all Gas Heated models
- ❖ Low voltage (24V) control
- ❖ Fan and Heat Control Switch
- ❖ Remote Wall Mounted by others

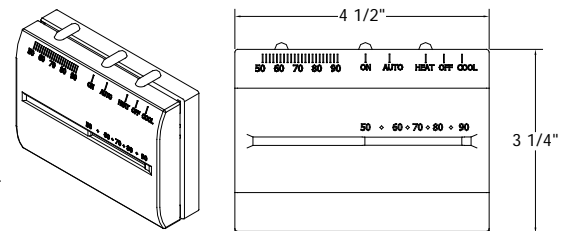
*Do not mount low voltage thermostat greater than 30ft from the air curtain. Mounting the low voltage thermostat too far from the air curtain may cause a voltage drop and cause chattering.

Options and Accessories:

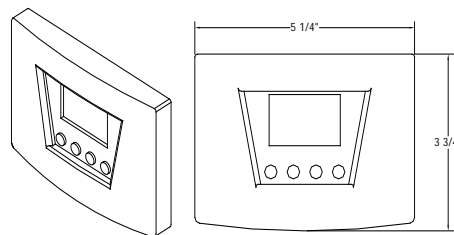
- ❖ 2 Stage Line Voltage Thermostat
- ❖ Digital Programmable Low Voltage Thermostat
- ❖ Digital Low Voltage Thermostat with Battery Backup
- ❖ Factory Wired and Installed Thermostat
- ❖ Lockable clear cover



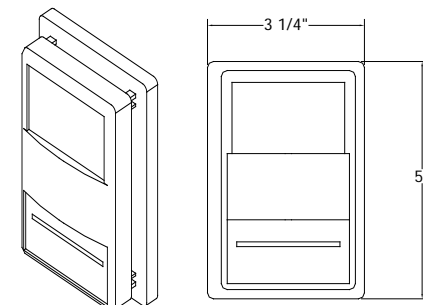
99-063 – Thermostat, 801, Line Voltage, Single Stage, Single Pole



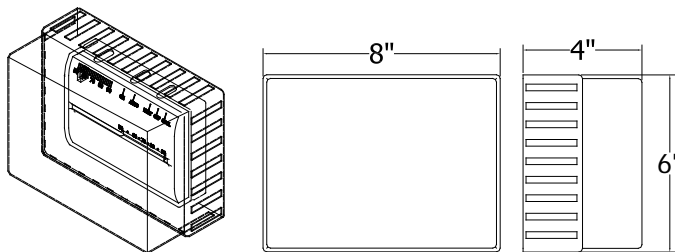
99-264 – Thermostat, 24 Volt, Analog, Single Stage, R.G.W.Y.B.O.



99-263 – Thermostat, 24 Volt, Digital, Single Stage., R.G.W.Y.B.O., Battery Power



99-277 – Thermostat, 24 Volt, Single Stage, R.W.



99-182 - Cover, Lockable, Clear

NOTE: MARS AIR SYSTEMS, LLC reserves the right to change specifications and product design without notice. Such revisions do not entitle the buyer to corresponding changes, improvements, additions or replacements for previously purchased equipment.