

Solid State (RIB) Control Packages



Commercial and Industrial Models

atmosphere is everything

14716 S. BROADWAY, GARDENA, CA 90248 • Ph: (310)532-1555 Fax: (310)-532-3030 • www.marsair.com
© Copyright Mars Air Systems, LLC 2014

Solid State (RIB) Control Packages

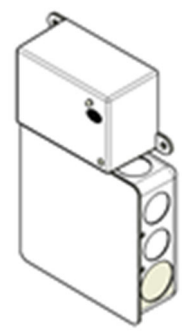
Solid State (RIB) Control Package #	Description
No TD	
<i>Commercial Type</i>	
J0023	Kit, Controller, Commercial, No TD, 115V,1Ø, Plastic Mag Reed Sw, Surf Mntd (99-018), ½HP max
J0705	Kit, Controller, Commercial, No TD, 115V,1Ø, Plastic Mag Reed Sw, Surf Mntd (99-018), (2) ½HP max
J0032	Kit, Controller, Walk-in Install, LPV236-72, No TD,115V,Plastic Mag Reed Sw,Surf Mntd(99-018), 1/6HP max
J0024	Kit, Controller, Commercial, No TD, 208-277V,1Ø, Plastic Mag Reed Sw, Surf Mntd (99-018), ½HP max
J0706	Kit, Controller, Commercial, No TD, 208-277V,1Ø, Plastic Mag Reed Sw, Surf Mntd (99-018), (2) ½HP max
J0033	Kit, Controller, Walk-in Install, LPV236-72, No TD, 208-277V,Plastic Mag Reed Sw,Surf Mntd(99-018), 1/6HPmax
<i>Industrial Type</i>	
J0722	Kit, Controller, Industrial, No TD, 115V,1Ø, w/ Metal Mag Reed Sw, Surf Mntd (99-125), (2) ½HP max
J0726	Kit, Controller, Industrial, No TD, 115V,1Ø, w/ Metal Mag Reed Sw, Floor Mntd (99-124), (2) ½HP max.
J0723	Kit, Controller, Industrial, No TD, 208-277V,1Ø, w/ Metal Mag Reed Sw, Surf Mntd (99-125), (2) ½HP max
J0727	Kit, Controller, Industrial, No TD, 208-277V,1Ø, w/ Metal Mag Reed Sw, Floor Mntd (99-124), (2) ½HP max
Adjustable TD	
<i>Commercial Type</i>	
J0021	Kit, Controller, Commercial, Adj TD(6s-20m), 115V,1Ø, Plastic Mag Reed Sw,Surf Mntd(99-018), ½HP max
J0028	Kit, Controller, Commercial, Adj TD(6s-20m), 115V,1Ø, Door Sw,Roller/Plunger Combo(99-014), ½HP max
J0703	Kit, Controller, Commercial, Adj TD(6s-20m), 115V,1Ø, Plastic Mag Reed Sw, Surf Mntd(99-018), (2) ½HP max
J0132	Kit, Controller, Walk-in Install, LPV236-72, Adj TD,115V,Plastic Mag Reed Sw,Surf Mntd(99-018), 1/6HPmax
J0022	Kit, Controller, Commercial, Adj TD(6s-20m), 208-277V,1Ø,Plastic Mag Reed Sw,Surf Mntd(99-018), ½HP max
J0029	Kit, Controller, Commercial, Adj TD(6s-20m), 208-277V,1Ø,Door Sw,Roller/Plunger Combo(99-014), ½HP max
J0704	Kit, Controller, Commercial, Adj TD(6s-20m), 208-277V,1Ø, Plastic Mag Reed Sw, Surf Mntd(99-018), (2) ½HPmax
J0133	Kit, Controller, Walk-in Install, LPV236-72, Adj TD, 208-277V,Plastic Mag Reed Sw,Surf Mntd(99-018), 1/6HPmax
<i>Industrial Type</i>	
J0724	Kit, Controller, Industrial, Adj TD(6s-20m), 115V,1Ø, Metal Mag Reed Sw, Floor Mntd(99-124), (2) ½HP max
J0720	Kit, Controller, Industrial, Adj TD(6s-20m), 115V,1Ø, Metal Mag Reed Sw, Surf Mntd (99-125), (2) ½HP max
J0721	Kit, Controller, Industrial, Adj TD(6s-20m), 208-277V,1Ø, Metal Mag Reed Sw,Surf Mntd(99-125), (2) ½HP max
J0725	Kit, Controller, Industrial, Adj TD(6s-20m), 208-277V,1Ø, Metal Mag Reed Sw,Floor Mntd(99-124), (2) ½HPmax

Features:

- ❖ UR (UL Recognized) and rated for NEMA 1 (field installed by others)
- ❖ Solid State Controllers
- ❖ Used when low voltage automatic control of an air curtain(s) is required
- ❖ Compact control package for limited space installations
- ❖ Time delay option – Field adjustable (6s-20m) delay on break. Delay keeps air curtains ON after door closes
- ❖ Reed and Magnet have sleek compact design (must be within 3/8" of each other to energize and de-energize the air curtain)
- ❖ Single pole terminal (1P) normally closed (NC) and normally opened (NO) contact
- ❖ 1 year parts warranty



Controller with Adjustable Time Delay
(Controller part # 99-050 & 99-051)



Controller without Time Delay
(Controller part # 99-052 & 99-053)

NOTE: MARS AIR SYSTEMS, LLC reserves the right to change specifications and product design without notice. Such revisions do not entitle the buyer to corresponding changes, improvements, additions, or replacements for previously purchased equipment.

Solid State (RIB) Control Packages



Commercial and Industrial Models

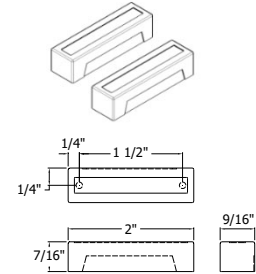
atmosphere is everything

14716 S. BROADWAY, GARDENA, CA 90248 • Ph: (310)532-1555 Fax: (310)-532-3030 • www.marsair.com
© Copyright Mars Air Systems, LLC 2014

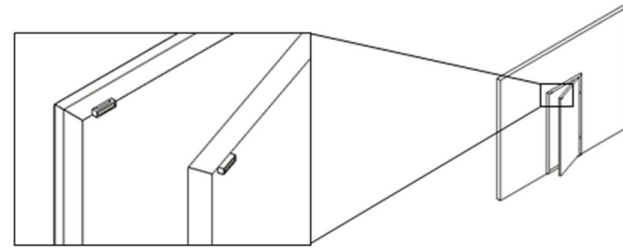
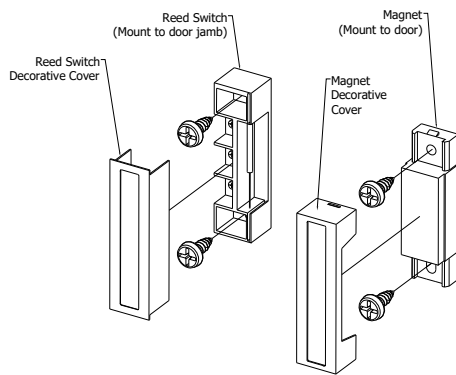
Commercial Type Control Packages

*Note: Do not use a fastener larger than a #6 sheet metal screw or a #8 Machine screw to mount this door limit switch. Forcing larger screws through the mounting holes destroys the switch and voids the warranty.

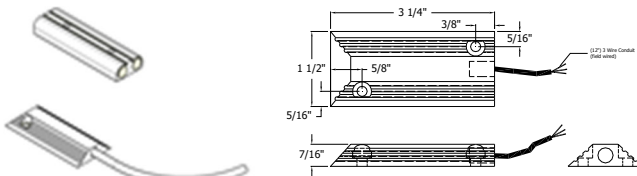
- Surface Mounted Wired (99-018) available
- Wiring terminals provided in reed switches (field wired by others)
- Maximum amperage rating is 1/2A
- Durable white plastic construction
- Available for 115V and 208-277V, 1Ø power only with 24V control



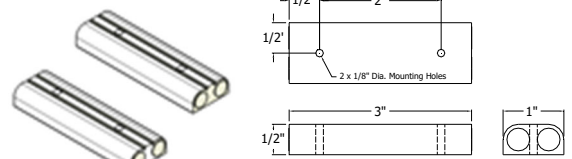
**Commercial Surface Mounted
(Switch part # 99-018)**



Typical Commercial Surface Mounted Switch (99-018) Installation Shown



**Industrial Floor Mounted
(99-124)**



**Industrial Surface Mounted
(99-125)**

*NOTE: Green wire is normally open, red is normally closed, and white is common. Connecting green wire to ground will damage switch; do not ground green wire.

**NOTE: Wherever applicable, the switch and magnet should be mounted using screws to door frame or door jamb.

Solid State (RIB) Control Packages



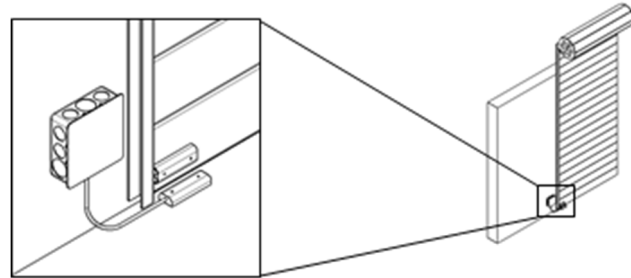
Commercial and Industrial Models

atmosphere is everything

14716 S. BROADWAY, GARDENA, CA 90248 • Ph: (310)532-1555 Fax: (310)-532-3030 • www.marsair.com
© Copyright Mars Air Systems, LLC 2014

Industrial Type

- Floor Mounted (99-124) and Surface Mounted (99-125) available
- Rated for NEMA 1 (field installed by others)
- 24 to 120 volts (controller or panel required)
- 12" conduit leads provided (field wired by others)
- Maximum amperage rating is 3A
- Heavy duty extruded aluminum construction

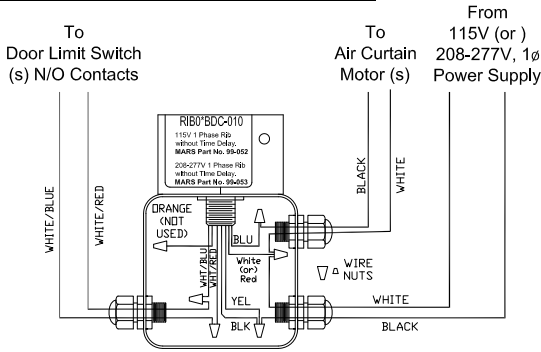


Typical Industrial Floor Mounted (99-124) Installation Shown

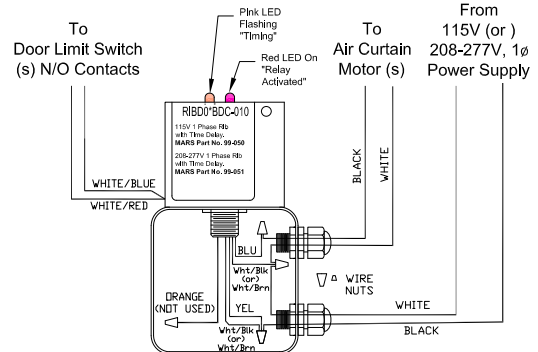
Options and Accessories: (see Accessories Brochure)

- ❖ Factory wiring available (specify lead lengths)
- ❖ Industrial Types may be use with optional Motor Control Panels (MCP*-**)

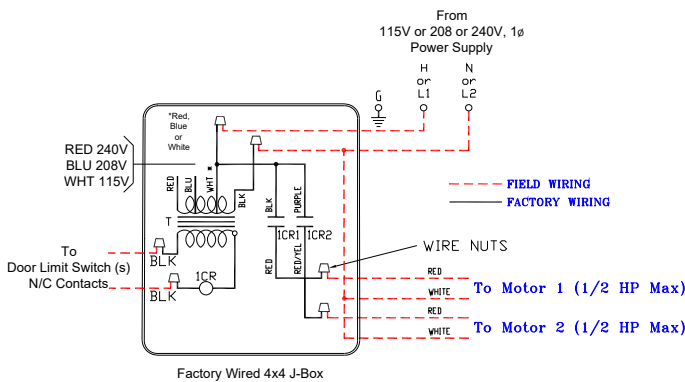
Magnetic Switch Control Package Wiring Diagrams



Kit J0023, J0024, J0032, J0033
Power Supply:
115V: Blk, Wht
208-277V, 1PH: Blk, Red



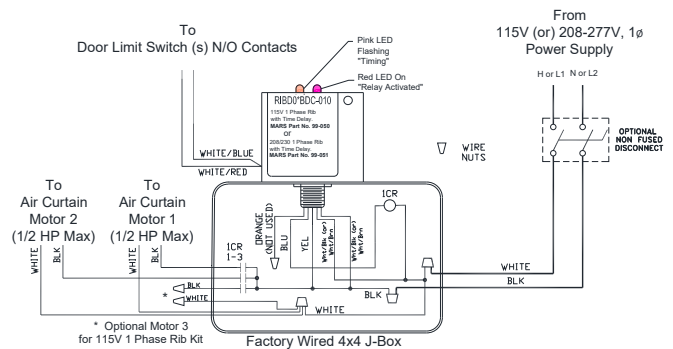
Kit J0021, J0101, J0028, J0132, J0022, J0029 & J0133
Power Supply:
115V: Wht/Blk, Wht/Blk
208-277V, 1PH: Wht/Brn, Wht/Brn



Kit J0705, J0706, J0722, J0723, J0726 & J0727 Diagrams

Note:
Controller Kit J0705, J0722 and J0726 require 115V, 1Ø power and Controller Kit Hot wire of 115V to be wired to White as indicated in drawing.

J0706, J0723 and J0727 require 208/230V, 1Ø power to operate properly.
L1 of the 208/230V, 1PH to be wired to Blue or Red as indicated in drawing.



Kit J0703, J0704, J0720, J0721, J0724 & J0725 Diagrams

Note:
Controller Kit J0703, J0720 and J0724 require 115V, 1Ø power and Controller Kit J0704, J0721 and J0725 require 208/277V, 1Ø power to operate properly.
The controllers are wired the same, but are not interchangeable.

NOTE: MARS AIR SYSTEMS, LLC reserves the right to change specifications and product design without notice. Such revisions do not entitle the buyer to corresponding changes, improvements, additions, or replacements for previously purchased equipment.

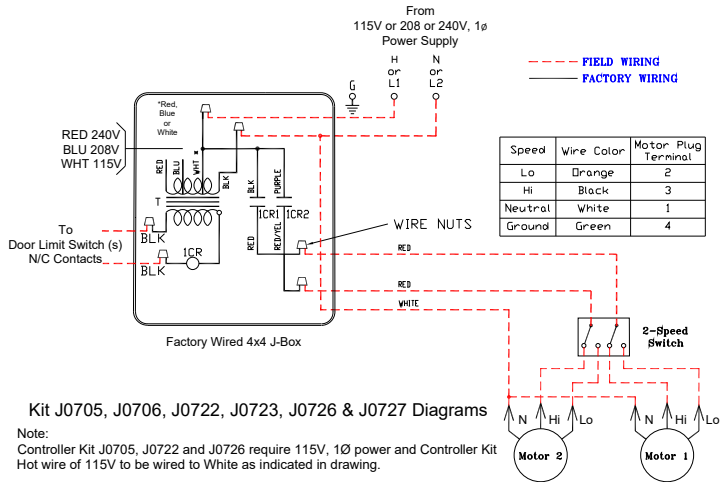
Solid State (RIB) Control Packages



Commercial and Industrial Models

atmosphere is everything

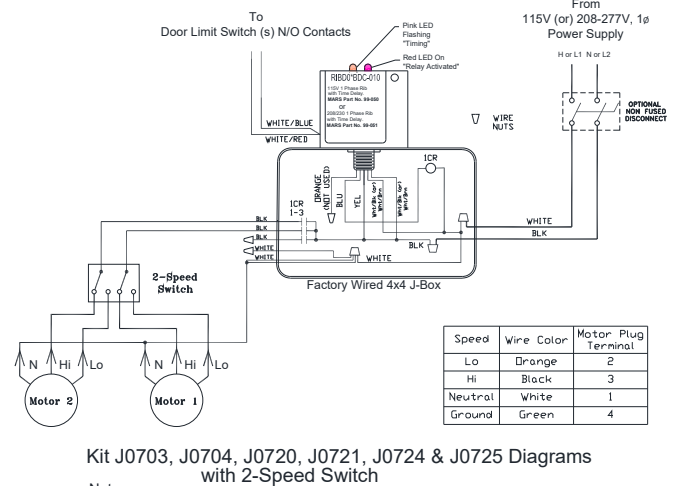
14716 S. BROADWAY, GARDENA, CA 90248 • Ph: (310)532-1555 Fax: (310)-532-3030 • www.marsair.com
© Copyright Mars Air Systems, LLC 2014



Kit J0705, J0706, J0722, J0723, J0726 & J0727 Diagrams

Note:
Controller Kit J0705, J0722 and J0726 require 115V, 1Ø power and Controller Kit Hot wire of 115V to be wired to White as indicated in drawing.

J0706, J0723 and J0727 require 208/230V, 1Ø power to operate properly. L1 of the 208/230V, 1PH to be wired to Blue or Red as indicated in drawing.



Kit J0703, J0704, J0720, J0721, J0724 & J0725 Diagrams with 2-Speed Switch

Note:
Controller Kit J0703, J0720 and J0724 require 115V, 1Ø power and Controller Kit J0704, J0721 and J0725 require 208/277V, 1Ø power to operate properly. The controllers are wired the same, but are not interchangeable.