

Pressed Frame Aluminum Filters

LPV2, STD2, PH10, HV2, PH12, EP2 Series



atmosphere is everything

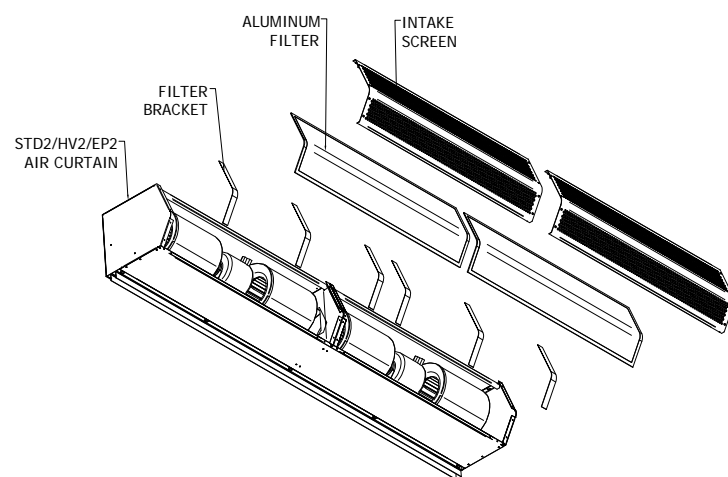
14716 S. BROADWAY, GARDENA, CA 90248 • Ph: (310)532-1555 Fax: (310)-532-3030 • www.marsair.com
© Copyright Mars Air Systems, LLC 2014

¼" Aluminum Filters for Unheated and Heated Models

Filter Kits	Filter Description	Applicable Air Curtain Series	Air Curtain Models
J0525	Filter, Kit, Alum, Washable, LP2, 25" Set of 2, (1) 23 7/8" (L) x 7 5/8"(H)	LPV2	25-1
J0536	Filter, Kit, Alum, Washable, LP2, 36" Set of 2, (1) 34 7/8" (L) x 7 5/8"(H)	LPV2	36-1
J0542	Filter, Kit, Alum, Washable, LP2, 42" Set of 2, (1) 40 7/8" (L) x 7 5/8"(H)	LPV2	42-1
J0548	Filter, Kit, Alum, Washable, LP2, 48" Set of 2, (1) 46 7/8" (L) x 7 5/8"(H)	LPV2	48-1
J0560	Filter, Kit, Alum, Washable, LP2, 60" Set of 2, (1) 58 7/8" (L) x 7 5/8"(H)	LPV2	60-1
J0572	Filter, Kit, Alum, Washable, LP2, 72" Set of 2, (2) 34 7/8" (L) x 7 5/8"(H)	LPV2	72-1
J0584	Filter, Kit, Alum, Washable, LP2, 84" Set of 2, (2) 40 7/8" (L) x 7 5/8"(H)	LPV2	84-2
J0596	Filter, Kit, Alum, Washable, LP2, 96" Set of 2, (2) 40 7/8" (L) x 7 5/8"(H)	LPV2	96-2
J05108	Filter, Kit, Alum, Washable, LP2, 108" Set of 2, (2) 29 7/16" & (2) 46 7/8" (L) x 7 5/8"(H)	LPV2	108-2
J05120	Filter, Kit, Alum, Washable, LP2, 120" Set of 2, (4) 29 7/16" (L) x 7 5/8"(H)	LPV2	120-2
J05144	Filter, Kit, Alum, Washable, LP2, 144" Set of 2, (4) 35 7/16" (L) x 7 5/8"(H)	LPV2	144-2
J2136	Filter, Kit, Alum, Washable, STD2/PH, 36" Set of 2, (2) 34 3/8" x 11 1/2"	STD2, PH10, PH12	36-1
J2142	Filter, Kit, Alum, Washable, STD2/PH, 42" Set of 2, (2) 40 3/8" x 11 1/2"	STD2, PH10, PH12	42-1
J2148	Filter, Kit, Alum, Washable, STD2/PH, 48" Set of 2, (2) 46 3/8" x 11 1/2"	STD2, PH10, PH12	48-1
J2160	Filter, Kit, Alum, Washable, STD2/PH, 60" Set of 2, (4) 29 3/16" x 11 1/2"	STD2, PH10, PH12	60-1
J2164	Filter, Kit, Alum, Washable, STD2/PH, 64" Set of 2, (4) 31 3/16" x 11 1/2"	STD2, PH10, PH12	64-1
J2172	Filter, Kit, Alum, Washable, STD2/PH, 72" Set of 2, (4) 34 3/8" x 11 1/2"	STD2, PH10, PH12	72-2
J2184	Filter, Kit, Alum, Washable, STD2/PH, 84" Set of 2, (4) 40 3/8" x 11 1/2"	STD2, PH10, PH12	84-2
J2196	Filter, Kit, Alum, Washable, STD2/PH, 96" Set of 2, (4) 46 3/8" x 11 1/2"	STD2, PH10, PH12	96-2
J21108-2	Filter, Kit, Alum, Washable, STD2108-2/PH, 108" Set of 2, (8) 26 3/16" x 11 1/2"	STD2, PH10, PH12	108-2
J21108-3	Filter, Kit, Alum, Washable, STD2108-3/PH, 108" Set of 2, (6) 34 3/8" x 11 1/2"	STD2, PH10, PH12	108-3
J21120-2	Filter, Kit, Alum, Washable, STD2120-2/PH, 120" Set of 2, (8) 29 3/16" x 11 1/2"	STD2, PH10, PH12	120-2
J21120-3	Filter, Kit, Alum, Washable, STD2120-3/PH, 120" Set of 2, (6) 38 3/4" x 11 1/2"	STD2, PH10, PH12	120-3
J21144	Filter, Kit, Alum, Washable, STD2/PH, 144" Set of 2, (6) 46 3/8" x 11 1/2"	STD2, PH10, PH12	144-3
J21144-4	Filter, Kit, Alum, Washable, STD2/PH, 144" Set of 2, (8) 34 3/8" x 11 1/2"	STD2, PH10, PH12	144-4
J2236	Filter, Kit, Alum, Washable, HV2/EP2, 36" Set of 2, (2) 34 1/4" x 15 1/8"	HV2/EP2	36-1
J2242	Filter, Kit, Alum, Washable, HV2/EP2, 42" Set of 2, (2) 40 1/4" x 15 1/8"	HV2/EP2	42-1
J2248	Filter, Kit, Alum, Washable, HV2/EP2, 48" Set of 2, (2) 46 1/4" x 15 1/8"	HV2/EP2	48-1
J2260	Filter, Kit, Alum, Washable, HV2/EP2, 60" Set of 2, (4) 29 1/8" x 15 1/8"	HV2/EP2	60-1
J2272	Filter, Kit, Alum, Washable, HV2/EP2, 72" Set of 2, (4) 34 1/4" x 15 1/8"	HV2/EP2	72-2
J2284	Filter, Kit, Alum, Washable, HV2/EP2, 84" Set of 2, (4) 40 1/4" x 15 1/8"	HV2/EP2	84-2
J2296	Filter, Kit, Alum, Washable, HV2/EP2, 96" Set of 2, (4) 46 1/4" x 15 1/8"	HV2/EP2	96-2
J22108-2	Filter, Kit, Alum, Washable, HV2108-2/EP2, 108" Set of 2, (8) 26 1/8" x 15 1/8"	HV2/EP2	108-2
J22108-3	Filter, Kit, Alum, Washable, HV2108-3/EP2, 108" Set of 2, (6) 34 1/4" x 15 1/8"	HV2/EP2	108-3
J22120-2	Filter, Kit, Alum, Washable, HV2/EP2120-2, 120" Set of 2, (8) 29 1/8" x 15 1/8"	HV2/EP2	120-2
J22120-3	Filter, Kit, Alum, Washable, HV2/EP2120-3, 120" Set of 2, (6) 38 1/4" x 15 1/8"	HV2/EP2	120-3
J22144	Filter, Kit, Alum, Washable, HV2/EP2, 144" Set of 2, (6) 46 1/4" x 15 1/8"	HV2/EP2	144-3
J22144-4	Filter, Kit, Alum, Washable, HV2/EP2, 144" Set of 2, (8) 34 1/4" x 15 1/8"	HV2/EP2	144-4

Features:

- ❖ This product is designed to be compatible with Mars Air Systems models. See table for model selection chart
- ❖ ¼" Pressed frame aluminum filters
- ❖ Rustproof, corrosion-resistant filter media
- ❖ Meets UL Class 2 filter requirements
- ❖ Bonded aluminum media provides strength and durability
- ❖ Offers longer service with optimum dirt and dust trapping performance
- ❖ Staggered multi-layered filter design to form thousands of highly effective dust and dirt holding baffles
- ❖ Factory installed with removable filter brackets. Additional loose replacement filters is sent for every order
- ❖ Easy field installation. No screws or hardware required
- ❖ Easy to clean
- ❖ Filter nestles inside the intake screen for compact and clean finish
- ❖ Filters designed to be installed on existing STD2, HV2 and EP2 models without any field modification (see product submittals for limitation to electric heated units)
- ❖ Proudly Made in the USA



Options and Accessories:

- ❖ Filter brackets (required only for existing units)
- ❖ LPV2 intake screen to accommodate pressed frame filter

NOTE: MARS AIR SYSTEMS, LLC reserves the right to change specifications and product design without notice. Such revisions do not entitle the buyer to corresponding changes, improvements, additions or replacements for previously purchased equipment.