

Flat Bank Filter

(BD, WMI, WMH,)

All Unheated BD, WM Models



atmosphere is everything

14716 S. BROADWAY, GARDENA, CA 90248 • Ph: (310) 532-1555 Fax: (310) 532-3030 • www.marsair.com
© Copyright Mars Air Systems, LLC 2014

Flat Bank Filter Data Sheet

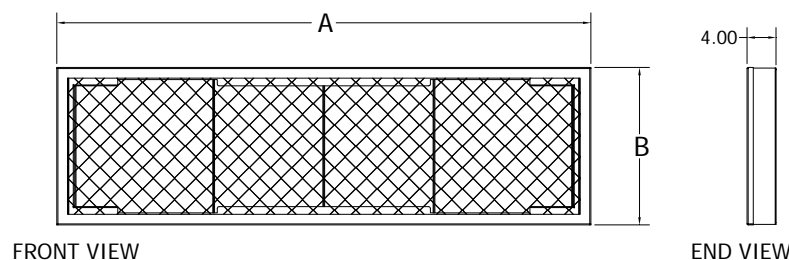
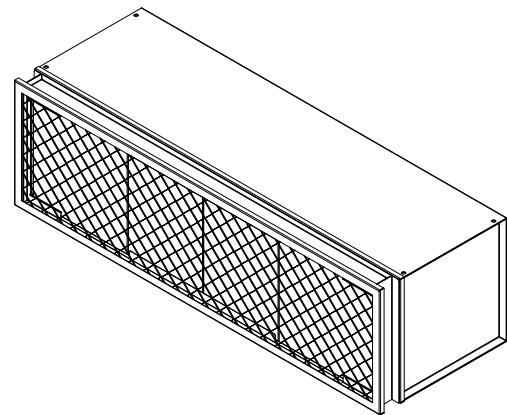
Compatible Models	Complete Filter Assembly Part Number				Assembly Width A (in)	Assembly Height B (in)	Description
	Filter Material						
	Aluminum		Pleated				
	Filter Size		Filter Size				
	1"	2"	1"	2"			
WMI/WMH96	10-559-1AL-TS	10-559-2AL-TS	10-559-1TA-TS	10-559-2TA-TS	99	22	Flatbank Filter Frame Assy, WMI/WMH, 96", Titanium Silver
WMI/WMH120	10-571-1AL-TS	10-571-2AL-TS	10-571-1TA-TS	10-571-2TA-TS	123	22	Flatbank Filter Frame Assy, WMI/WMH, 120", Titanium Silver
WMI/WMH144	10-576-1AL-TS	10-576-2AL-TS	10-576-1TA-TS	10-576-2TA-TS	147	22	Flatbank Filter Frame Assy, WMI/WMH, 144", Titanium Silver
WMI/WMH168	10-561-1AL-TS	10-561-2AL-TS	10-561-1TA-TS	10-561-2TA-TS	171	22	Flatbank Filter Frame Assy, WMI/WMH, 168", Titanium Silver
WMI/WMH192	10-562-1AL-TS	10-562-2AL-TS	10-562-1TA-TS	10-562-2TA-TS	195	22	Flatbank Filter Frame Assy, WMI/WMH, 192", Titanium Silver
BD 96	10-585-1AL-TS	10-585-2AL-TS	10-585-1TA-TS	10-585-2TA-TS	107	28	Flatbank Filter Frame Assy, BD, 96", Titanium Silver
BD 120	10-586-1AL-TS	10-586-2AL-TS	10-586-1TA-TS	10-586-2TA-TS	131	28	Flatbank Filter Frame Assy, BD, 120", Titanium Silver
BD 144	10-587-1AL-TS	10-587-2AL-TS	10-587-1TA-TS	10-587-2TA-TS	155	28	Flatbank Filter Frame Assy, BD, 144", Titanium Silver
BD 168	10-588-1AL-TS	10-588-2AL-TS	10-588-1TA-TS	10-588-2TA-TS	179	28	Flatbank Filter Frame Assy, BD, 168", Titanium Silver
BD 192	10-589-1AL-TS	10-589-2AL-TS	10-589-1TA-TS	10-589-2TA-TS	203	28	Flatbank Filter Frame Assy, BD, 192", Titanium Silver

Features:

- ❖ This product is designed to be compatible with Mars Air Systems models. See table for model selection chart
- ❖ 1" or 2" filters available
- ❖ Aluminum Mesh or Pleated filters available
- ❖ Pleated filters are MERV 8 extended surface area with thick cotton-polyester blend media and cardboard frame. 85-90% arrestance and 30-35% dust spot efficiency.
- ❖ Filters built to provide significant protection for internal air curtain components
- ❖ Heavy duty filter frame built to withstand wear and tear
- ❖ Filter frame has sufficient strength for fastening to the air curtain air intake
- ❖ Self-contained one piece heavy gauge corrosion proof paint lock metal design
- ❖ Easy to install, easy to clean.
- ❖ Standard color for WMI/WMH and BD series is Titanium Silver (TS)
- ❖ Shipped fully assembled. Mounted if ordered with unit
- ❖ 1 year parts warranty
- ❖ Freight not included
- ❖ Proudly Made in the USA

Options and Accessories: (see Accessories Brochure)

- ❖ Custom enclosure colors and finishes (304SS, 316SS, Aluminum)
- ❖ Pleated MERV 13 rated filters
- ❖ V-Bank filter



NOTE: MARS AIR SYSTEMS, LLC reserves the right to change specifications and product design without notice. Such revisions do not entitle the buyer to corresponding changes, improvements, additions or replacements for previously purchased equipment.