

Disconnect Switches



Fused and Non-fused

atmosphere is everything

14716 S. BROADWAY, GARDENA, CA 90248 • Ph: (310)532-1555 Fax: (310)-532-3030 • www.marsair.com
© Copyright Mars Air Systems, LLC 2014

Disconnect Switches

Switch Model Number	Description	Dimensions				
		A	B	C		
Standalone - Non-fused Disconnects (Remote Mounted)						
99-122	Switch, Disconnect, Non-Fused, 600v, 32A, 3Pole, IP65 (Rmt Mntd By Others)	3.9"	4.9"	4.5"		
99-123	Switch, Disconnect, Non-Fused, 600v, 80A, 3Pole, IP65 (Rmt Mntd By Others)	7.5"	11.0"	5.1"		
Standalone - Fused Disconnects Kits with Fuses (Remote Mounted)						
99-008-**	Switch, Disconnect, Fused, 240v, 5-30A, 3Pole, NEMA3R (Rmt Mntd By Others)	7.8"	9.6"	3.8"		
99-009-**	Switch, Disconnect, Fused, 240v, 35-60A, 3Pole, NEMA3R (Rmt Mntd By Others)	7.5"	14.9"	4.9"		
99-130-**	Switch, Disconnect, Fused, 240v, 70-100A, 3Pole, NEMA3R (Rmt Mntd By Others)	10.5"	17.5"	6.5"		
99-010-**	Switch, Disconnect, Fused, 600v, 5-30A, 3Pole, NEMA3R (Rmt Mntd By Others)	7.6"	14.9"	4.9"		
99-011-**	Switch, Disconnect, Fused, 600v, 35-60A, 3Pole, NEMA3R (Rmt Mntd By Others)	10.5"	17.5"	6.4"		
Panel/Unit Mounted - Non-fused Disconnects						
99-153	Switch, Disconnect, Non-Fused, 240v, 30A, 3Pole, NEMA1 (Pnl/Unit Mntd)	-	-	-		
99-154	Switch, Disconnect, Non-Fused, 240v, 60A, 3Pole, NEMA1 (Pnl/Unit Mntd)	-	-	-		
99-165	Switch, Disconnect, Non-Fused, 600v, 20A, 3Pole, NEMA1 (Pnl/Unit Mntd)	-	-	-		
99-144	Switch, Disconnect, Non-Fused, 600v, 32A, 3Pole, NEMA1 (Pnl/Unit Mntd)	-	-	-		
99-145	Switch, Disconnect, Non-Fused, 600v, 60A, 3Pole, NEMA1 (Pnl/Unit Mntd)	-	-	-		
99-127	Switch, Disconnect, Non-Fused, 600v, 100A, 3Pole, NEMA1 (Pnl/Unit Mntd)	-	-	-		
99-143	Switch, Disconnect, Non-Fused, 600v, 125A, 3Pole, NEMA1 (Pnl/Unit Mntd)	-	-	-		
Panel/Unit Mounted - Fused Disconnects Kits with Fuses						
99-153-**	Switch, Disconnect, Fused, 240v, 5-30A, 3Pole, NEMA1 (Pnl/Unit Mntd)	-	-	-		
99-154-**	Switch, Disconnect, Fused, 240v, 35-60A, 3Pole, NEMA1 (Pnl/Unit Mntd)	-	-	-		
99-144-**	Switch, Disconnect, Fused, 600v, 5-30A, 3Pole, NEMA1 (Pnl/Unit Mntd)	-	-	-		
99-145-**	Switch, Disconnect, Fused, 600v, 35-60A, 3Pole, NEMA1 (Pnl/Unit Mntd)	-	-	-		

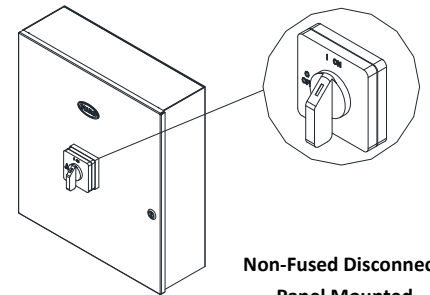
** - Specify amperage. See air curtain submittals for FLA (Full Load Amps) and select disconnect per NEC and/or local codes.

Features:

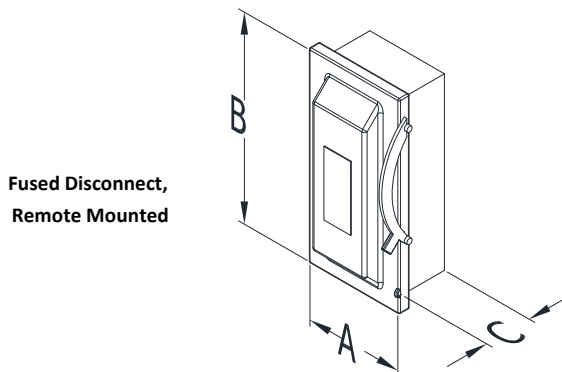
- ❖ UL Listed components
- ❖ Compact Size
- ❖ Disconnects and locks out power for servicing and inspection
- ❖ Circuit protection disconnect switches available for 240V or 600V
- ❖ Disconnect switch amperage rating listed in table description
- ❖ Kits available for varying load capacities as required
- ❖ Panel mounted and remote mounted disconnect are pad lockable
- ❖ Unit mounted disconnects have standard mounting configuration on right hand side of unit (10-12" service clearance required)
- ❖ 1 year parts warranty

Additional Options and Accessories: Contact Factory

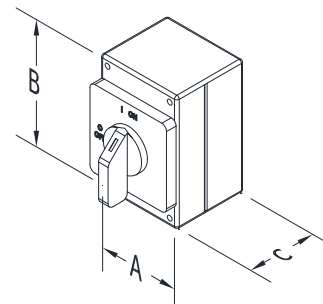
- ❖ Additional NEMA ratings available
- ❖ Alternate mounting options available for unit mounted disconnects (Specify mounting location)



Non-Fused Disconnect, Panel Mounted



Fused Disconnect, Remote Mounted



Non-Fused Disconnect, Remote Mounted

NOTE: MARS AIR SYSTEMS, LLC reserves the right to change specifications and product design without notice. Such revisions do not entitle the buyer to corresponding changes, improvements, additions or replacements for previously purchased equipment.