

Magnetic Door Switches



Commercial and Industrial Switches

atmosphere is everything

14716 S. BROADWAY, GARDENA, CA 90248 • Ph: (310)532-1555 Fax: (310)-532-3030 • www.marsair.com
© Copyright Mars Air Systems, LLC 2014

Magnetic Door Switches

Switch or Kit Model Number	Description	Phase	Voltage	Amperage	Poles	NEMA Rating
99-018	Magnetic, Commerical, Plastic, Surface Mounted, Wired	1	24V	1/2 Amp	1	NEMA 1
99-118	Magnetic, Commerical, Plastic, Surface Mounted, Wireless	-	-	-	-	NEMA 1
99-124	Magnetic, Industrial, Metallic, Floor Mounted, Wired	1	120V	3 Amps	1	NEMA 1
99-125	Magnetic, Industrial, Metallic, Surface Mounted, Wired	1	120V	3 Amps	1	NEMA 1
99-275	Magnetic, Commerical, Plastic, Flush Mounted, Wired	1	24V	1/2 Amp	1	NEMA 1

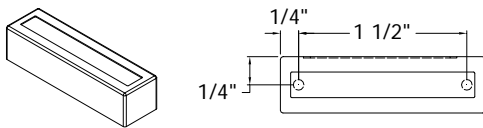
Note: DO NOT GROUND the COM terminal. This is the common terminal and not ground or neutral. Please see the wiring instructions for the switches.

Features:

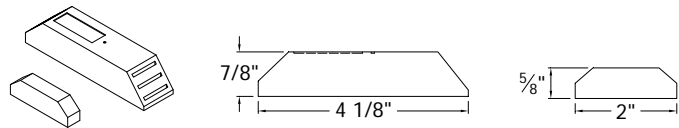
- ❖ UR (UL Recognized) and rated for NEMA 1 (field installed by others)
- ❖ An optional motor control panel or controller is required when a wired magnetic door limit switch is used.
 - 99-118 requires a RIB Controller and is rated for ½ HP
- ❖ Wired switches have single pole terminal (1P) normally closed (NC) and normally opened (NO) contact.
- ❖ Turns the air curtain on when the door opens and off when the door closes
- ❖ Used when automatic control of an air curtain(s) is required
- ❖ Easy to install and switches are lightweight
- ❖ Ideal Applications for each switch:
 - 99-018 when neat and trim finish is desired for commercial applications
 - 99-118 switch used where door sees lower traffic, wireless
 - 99-124 used when roll-up doors with fork lift traffic
 - 99-125 used where wiring and switches need to be concealed
 - 99-275 used when wiring and switches need to be concealed
- ❖ Requires less than 1/8" distance between magnets to energize and de-energize the air curtain

Options and Accessories: (see Accessories Brochure)

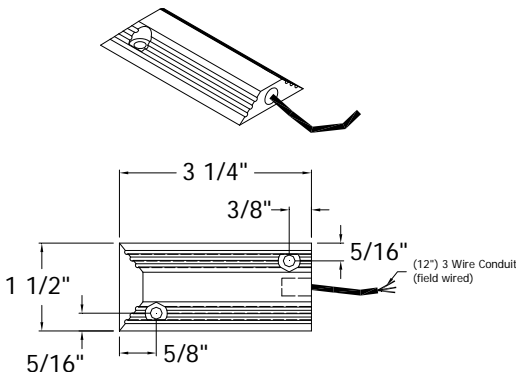
- ❖ RIB controllers
- ❖ Motor Control Panels



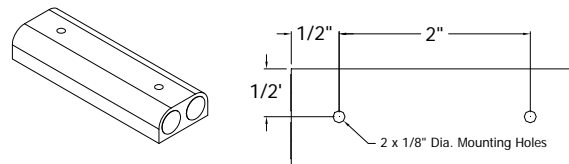
99-018 – Commercial Surface Mounted



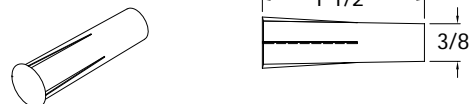
99-118 – Commercial Surface Mounted Wireless



99-124 – Industrial Floor Mounted



99-125 – Industrial Surface Mounted



99-275 – Commercial Flush Mounted

NOTE: MARS AIR SYSTEMS, LLC reserves the right to change specifications and product design without notice. Such revisions do not entitle the buyer to corresponding changes, improvements, additions or replacements for previously purchased equipment.