



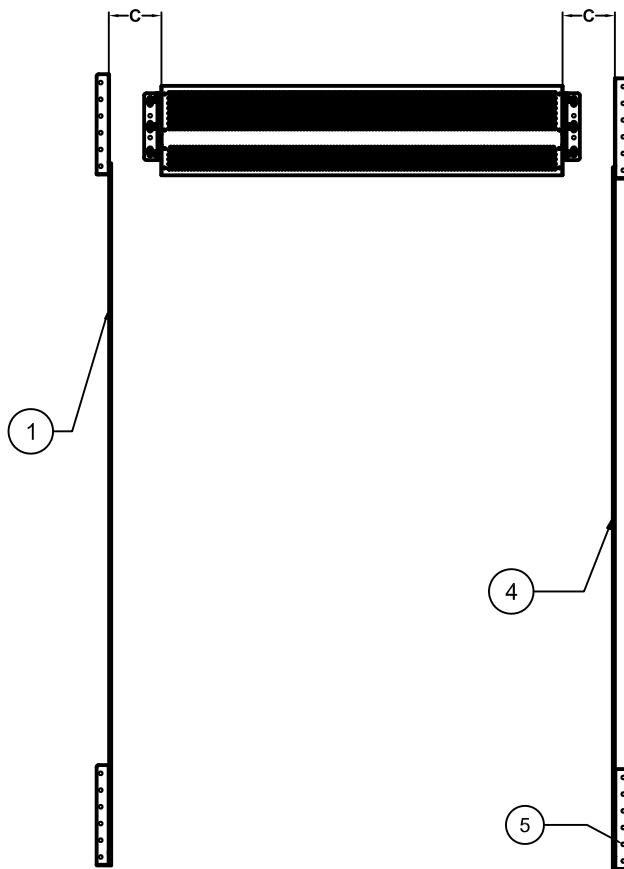
atmosphere is everything

14716 S. Broadway • Gardena, CA 90248 • USA
 TEL:(310) 532-1555 • (800) 421-1266 • FAX:(310) 324-3030
 Web Site: www.marsair.com • E-mail: info@marsair.com

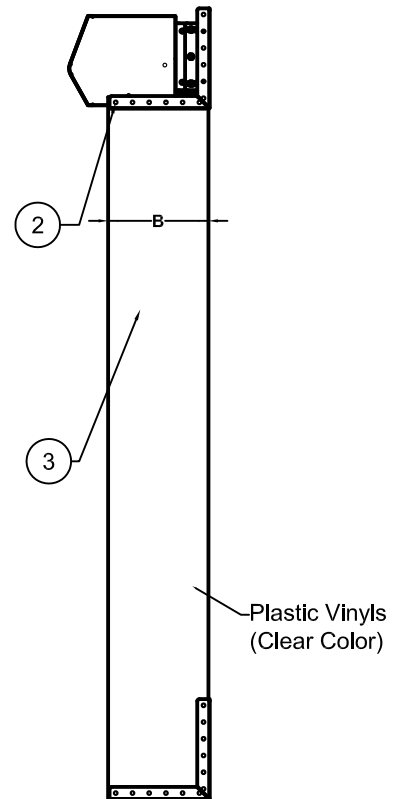
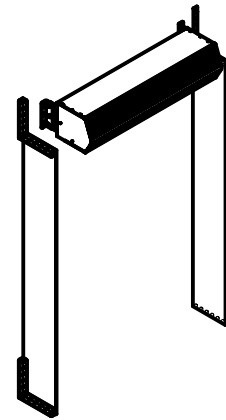
PROJECT		OPTIONS/ITEMS	
TITLE			
COMMENTS		DATE 5/24/17	PAGE
		REV. NO	1
MODEL NO. Side Vinyl Baffle Series	DRAWING NO AE-F	DRAWN BY B.B.	CHECKED BY M.L.
		FILE NAME	

Side Vinyl Baffle Kit

Side Baffle Series



FRONT VIEW



Side View

Model Number	Baffle Kit Number	Overall Height A	Overall Width B	Space Distance C
LPV	B0101	10'	12"	Up to 4"
LPN	B0101	10'	12"	Up to 4"
STD	B0101	10'	12"	Up to 4"
N	B0101	10'	12"	Up to 4"
PH10	B0101	10'	12"	Up to 6"
HV	B0102	14'	12"	Up to 6"
NH	B0102	14'	12"	Up to 6"
PH12	B0102	14'	12"	Up to 6"
EP	B0102	14'	12"	Up to 6"

Notes:

1. This product is designed to be compatible with Mars Air Doors models. See table for model selection chart.
2. Side Baffle mounting holes provide for easy installation. Baffle brackets must be fastened to the wall for easy installation.
3. Plastic vinyls are included in the kit with holes pre-punched for easy installation.
4. Side Baffle designed to have sufficient strength to be vertically mounted. Each side baffle bracket must be fastened to the wall for rigidity and may not exceed 4"-6" away from the unit. (Optional support brackets available. Contact factory for details.)
5. Side baffle mounting holes provided to easy installation.