

# Mechanical Switches



Multi option and Variable speed Switches

atmosphere is everything

14716 S. BROADWAY, GARDENA, CA 90248 • Ph: (310)532-1555 Fax: (310)-532-3030 • [www.marsair.com](http://www.marsair.com)  
© Copyright Mars Air Systems, LLC 2014

## Mechanical Switches

Switch Type	Mounting Type & NEMA Rating	Switch Model	Description
On-Off	Remote & NEMA 1	99-033	Kit, Switch, ON/OFF, 15A, 120/250V, DPDT, Toggle w/ 2"x4" NEMA 1 J-Box
On-Off	Panel Mounted	99-272	Switch, ON/OFF, 10A@250V, 15A@125V, DPST, 1/2 HP MAX
On-Off	Panel Mounted	99-001	Switch, ON/OFF, 15A@250V, DPST, 1 1/2 HP MAX
On-Off	Panel Mounted	99-274	Switch, ON/OFF, 10A@277V, 15A@125V, DPST, 1 1/2 HP MAX
On-Off	Panel Mounted	99-139	Switch, ON/OFF, 15A@250V, DPST, 1 1/2 HP MAX, Lockable
Variable	Panel Mounted	99-030	Switch, Variable speed w/ off, 6A@120V
Variable	Panel Mounted	99-031	Switch, Variable speed w/ off, 6A@240V
Variable	Panel Mounted	99-032	Switch, Variable speed w/o off, 5A@240V (Elec htd units)
Variable	Panel Mounted	99-406	Switch, Variable speed w/ off, 15A@120V
Variable	Panel Mounted	99-407	Switch, Variable speed w/ off, 15A@240V
Hand-Off-Auto	Remote & NEMA 1	99-405	Switch, HOA, 10A@240V, Rmt Mntd w/ NEMA 1
Hand-Off-Auto	Remote & NEMA 3	99-167	Switch, HOA, 3A@240V, Rmt Mntd w/ NEMA 3 J-Box, Lockable
Hand-Off-Auto	Panel Mounted	99-074	Switch, HOA, 3A@240V, Pnl Mntd
Hand-Off-Auto	Panel Mounted	99-367	Switch, HOA, 3A@240V, Pnl Mntd, Lockable
2 Speed*	Remote & NEMA 1	99-034	Kit, Switch, HI/LO/OFF, 17A@250V, TPDT, Toggle w/ 2"x4" NEMA 1 J-Box
2 Speed*	Panel Mounted	99-101	Switch, HI/LO/OFF, 12A@250V, 17A@125V, DPDT, 1 HP MAX
3 Speed*	Remote & NEMA 1	99-003	Kit, Switch, HI/MED/LO/OFF, 25A@240V, SPTT, 1 HP MAX, Rotary w/ 2"x4" NEMA 1 J-Box
3 Speed*	Panel Mounted	99-273	Switch, HI/MED/LO/OFF, 25A@120V, 25A@240V, SP, comb. rotary, 1 HP MAX

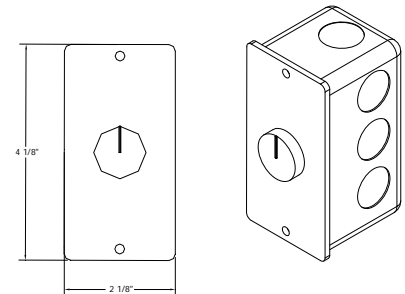
\*Note: CFM at High Speed (1750 RPM) - 100%, Medium Speed (1650 RPM) - 90%, Low Speed (1425 RPM) - 80%. Sound is lowered 2 dBA per speed. (applicable for STD2 series, 1Ø only). For HV2, there are only two speeds: 1725 RPM - 100%, and 1450 RPM - 85% with a 3 dBA reduction in sound.

### Features:

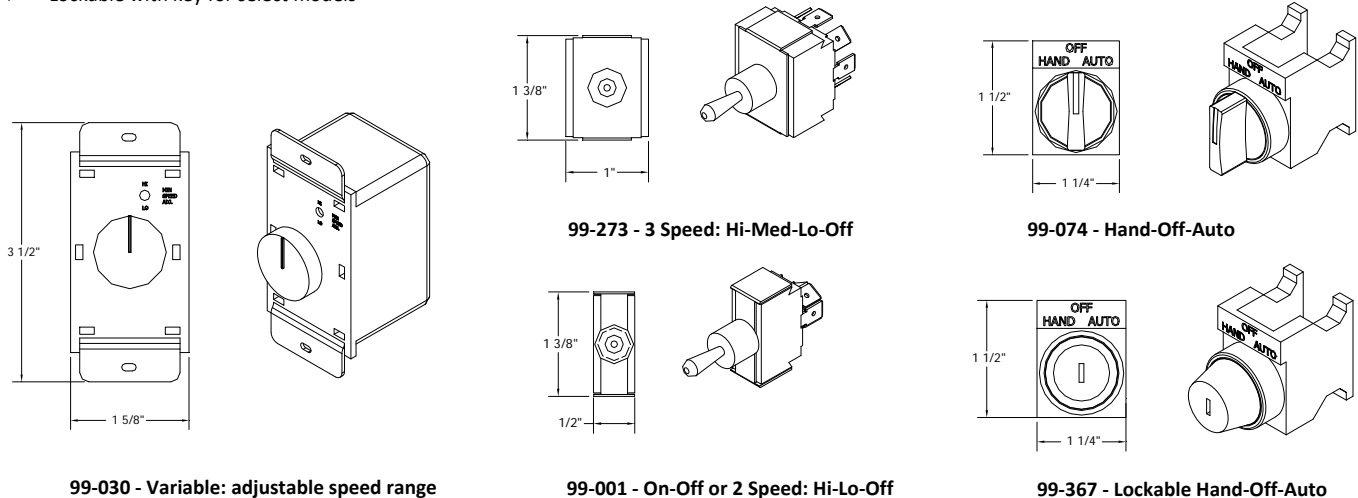
- ❖ UR (UL Recognized) and rated for NEMA 1 or NEMA 3 (field installed by others), see table for selections
- ❖ Mechanical switches provide ease of control for speed, safety, or mode.
- ❖ On-Off, Variable Speed (rotary), HOA (hand-off-auto), Hi-Lo-Off, Hi-Med-Lo-Off, switches available to suit various applications for speed control See table for panel or remote mounting options
- ❖ Speed control switches available for 120/125V or 240/250V power, see table (If any of the ratings are exceeded, an optional motor control panel must be used)
- ❖ Maximum HP, Voltage, and Amperage information listed in chart
- ❖ Single or multiple pole terminals (2P, 3P) available in select models

### Options and Accessories: (see Accessories Brochure)

- ❖ UR (UL Recognized) and rated for NEMA 4X/IP55 (field installed by others)
- ❖ Washdown, Contact Factory
- ❖ Lockable with key for select models



2x4" Junction Box for Remote Mounted  
(Variable speed switch shown)



99-030 - Variable: adjustable speed range

99-001 - On-Off or 2 Speed: Hi-Lo-Off

99-367 - Lockable Hand-Off-Auto

NOTE: MARS AIR SYSTEMS, LLC reserves the right to change specifications and product design without notice. Such revisions do not entitle the buyer to corresponding changes, improvements, additions or replacements for previously purchased equipment.