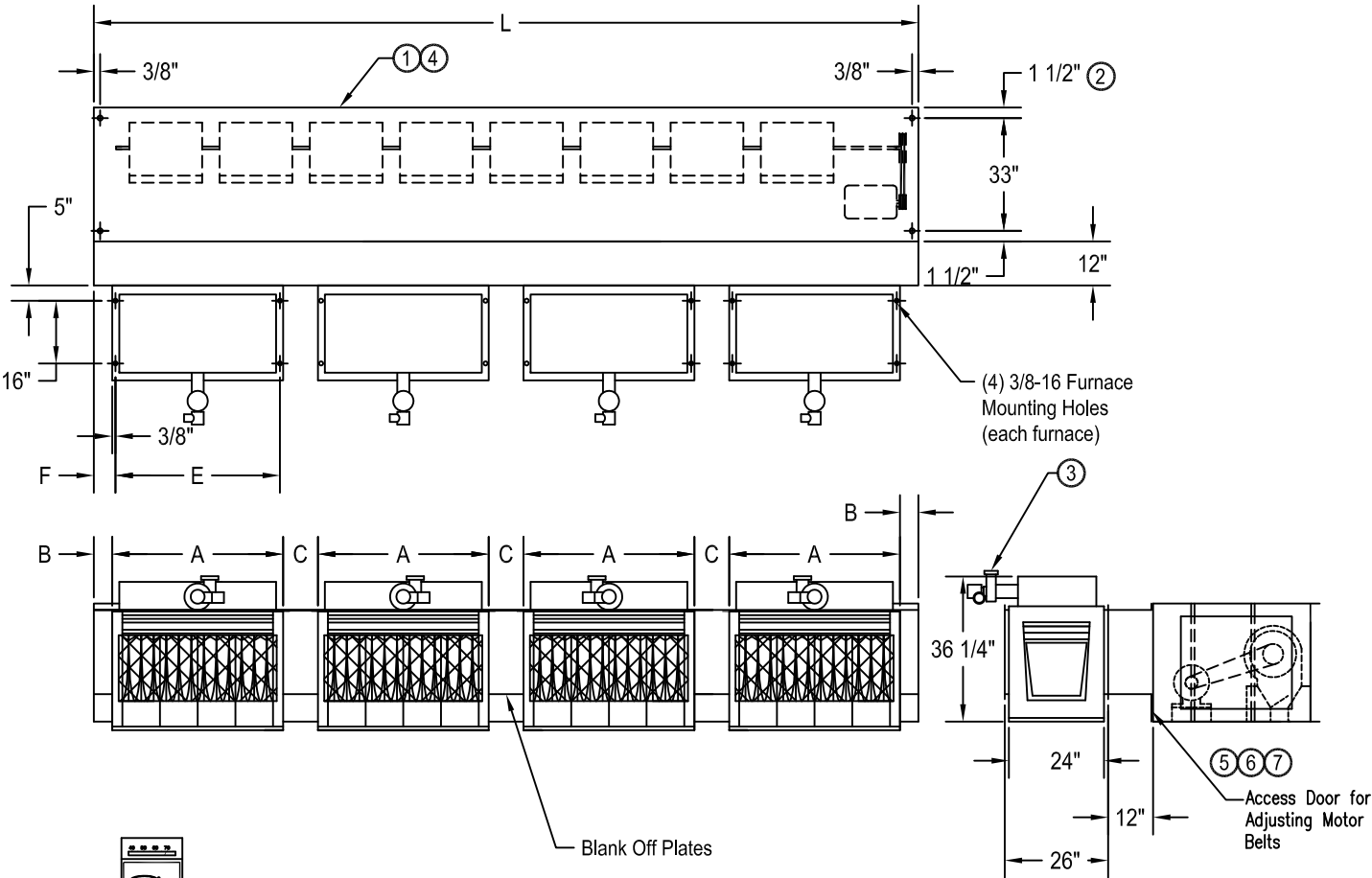


NOTES:

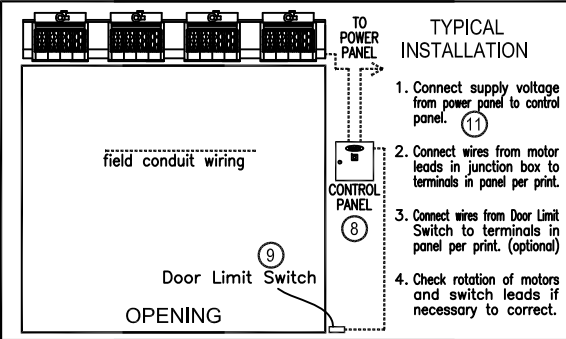
- ① This product is designed to comply with the National Electric Code (NEC). Duct furnaces are design is certified by CSA International for use with natural an LP (Propane) gases with Single Stage Gas Valve and Aluminized Heat Exchanger and Burners.
- ② 3/4" Mounting holes (4) provided. (2) each end.
- ③ Standard Power Venter. Flue connection field adjustable. Horizontal or Vertical flue.
- ④ All units have a self contained one piece cabinet, fire retardant and corrosion proof paint lock metal, double protected with baked on gray color rust proof electrostatic polyurethane powder coating.
- ⑤ Unit provided with adjustable sheaves and pulleys, field adjustable to suit varying conditions.
- ⑥ Adjustable perforated volume dampers (2). Capable of reducing air velocity up to 50%.
- ⑦ Unit is to be installed such that air flow is not obstructed. Air discharge nozzle is adjustable with 40° sweep front to back.
- ⑧ Standard motor control panel, overloads are factory preset. Burner controls are interlocked with motor control panel. Standard procedure is to ship panel loose for remote mount.
- ⑨ Optional door limit switch is field installed and is to be wired to the control panel. Switch to be mounted such that the air curtain turns on when door begins to open.
- ⑩ Remote mounted thermostat field installed. Thermostat to regulate furnaces operation, must be located in area which senses either the intake or discharge temperature. (Max. output 90°F)
- ⑪ Circuit protection as per (NEC) by others.



Remote Thermostat Shipped Loose

⑪

MODEL NUMBER	OVERALL WIDTH L	FURNACE WIDTH A	END SPACE B	CENTER SPACE C	FLUE SIZE D ③	MOUNTING DISTANCE E	DIM F	FURNACE SIZE (MBH)
BD-18-096-IG	107"	42 5/8"	5 7/16"	10 7/8"	6" ROUND	41 7/8"	5 13/16"	(2) @ 350
BD-18-120-IG	131"	48 1/8"	8 11/16"	17 3/8"	6" ROUND	47 3/8"	9 1/16"	(2) @ 400
BD-18-144-IG	155"	42 5/8"	4 1/2"	9 1/16"	6" ROUND	41 7/8"	4 7/8"	(3) @ 350
BD-18-168-IG	179"	48 1/8"	5 3/4"	11 1/2"	6" ROUND	47 3/8"	6 1/8"	(3) @ 400
BD-18-192-IG	203"	42 5/8"	4 1/16"	8 1/8"	6" ROUND	41 7/8"	4 7/16"	(4) @ 350



PROJECT	Model No.:
LOCATION	Drawing No.:
ARCHITECT	Date
ENGINEER	Sheet of
	Drawn By:
	Checked By:

MARS[®]
AIR SYSTEMS

14716 S. BROADWAY • GARDENA, CA 90248 • USA
TEL: (310) 532-1555 • (800) 421-1266 • FAX: (310) 324-3030
Web Site: www.marsair.com • E-mail: info@marsair.com

