

## HEATED PRODUCTS SUPPLEMENT

### NOTE

Before proceeding, refer to the units specific IOM Manual for safety, installation and start information. Verify proper voltage to the product per local and NEC codes. Ensure proper rotation for units with three phase motors.

### Electrically Heated Products

Electrically heated products must be mounted on the inside of the building. Electrically heated products come standard with a thermostat (provided and shipped loose, unless ordered as factory pre-mounted) and is to be field installed.

#### Note:

1. Electrically heated Low Profile units come with internally mounted controls and available with optional 24 volt or 240 volt thermostat.
2. Electrically heated Standard, High Velocity and Extra Power units include a motor control panel mounted on the right-hand side of the unit, as standard, and a remote 24 volt thermostat with On/Off switch with terminals provided.
3. Electrically heated Wind Stopping and WindGuard units include an electric heater control panel mounted on the right hand side, as standard (FIG. 1). Optional motor/unit control panel available, which includes a remote 24 volt thermostat with On/Off switch with terminals provided.

The thermostat should be mounted as close to the product's discharge air flow as possible in order to best sense the discharged air temperature around the door opening. Connect proper voltage to the product per local and NEC codes. (FIG. 2)

Thermal overload protection is built into the heater coil assembly/assemblies. In the event of an overload condition, electrical power will be disconnected from the heater coil. Upon diagnosing the problem, electrical power can be re-instated to the heater coil(s) by manually resetting the thermal overload lever(s) or buttons(s) located in the unit or panel.

To operate multiple units mounted side by side, utilizing a single door switch and single thermostat, a master/slave configuration is required. (FIG. 2)

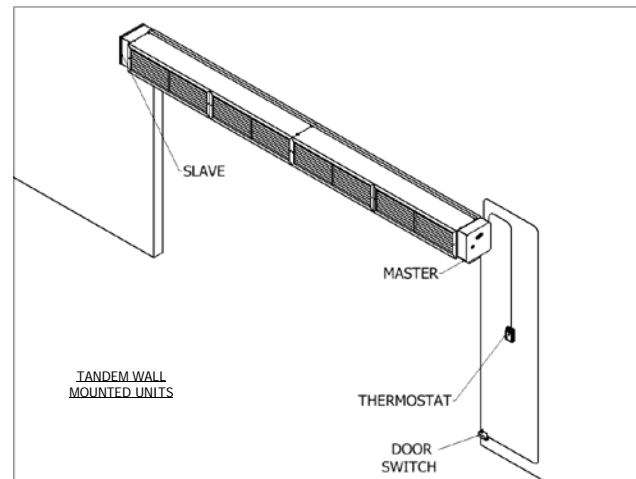


FIG. 1

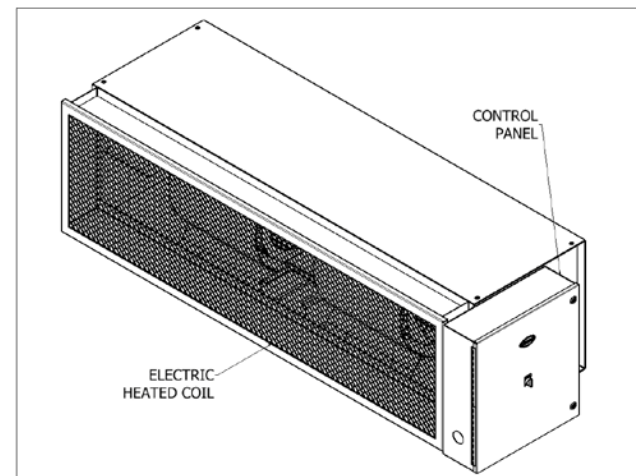


FIG. 2

### Steam and Hot Water Coil Heated Products

Steam/Hot Water Coil (coil) heated products must be mounted on the inside of the building. The coil(s) for Low Profile units are shipped internally mounted to the unit. For Standard, High Velocity and Extra Power units, the coil(s) are shipped loose and field installed. Wind Stopping and

WindGuard units are shipped with coil(s) factory mounted.

Once the coil has been secured to the cabinet, access to the motor and fan is through the removable access panels located on the top of the cabinet.

**Note:** Low Profile and Wind Stopping units require the removal of the coil to access the motor and/or fans.

All piping should be done by a licensed pipe fitter and in accordance with local codes and regulations. Connect the supply and return fittings as required. All traps and valves are sized and field installed by others. Standard coil configuration is right hand supply and left hand return. (FIGS. 3 & 4) Optional temperature controls, if ordered, are to be field installed by others.

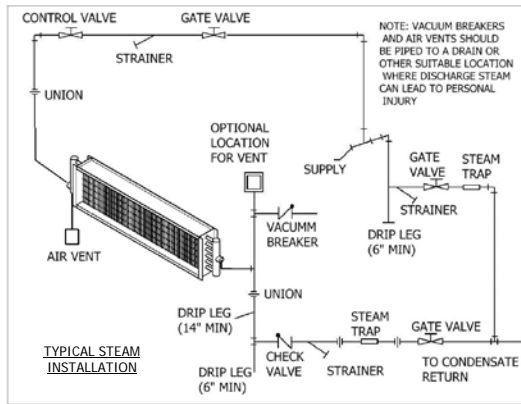


FIG. 3 (STD Shown)

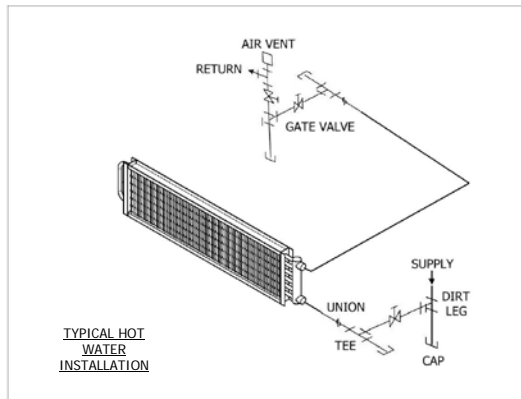


FIG. 4 (LPV Shown)

**Gas Heated Products**

Gas heated products must be mounted on the inside of the building. The product consists of three major components: the air curtain, transition section(s) and indirect gas fired duct furnaces(s) (FIG 5).

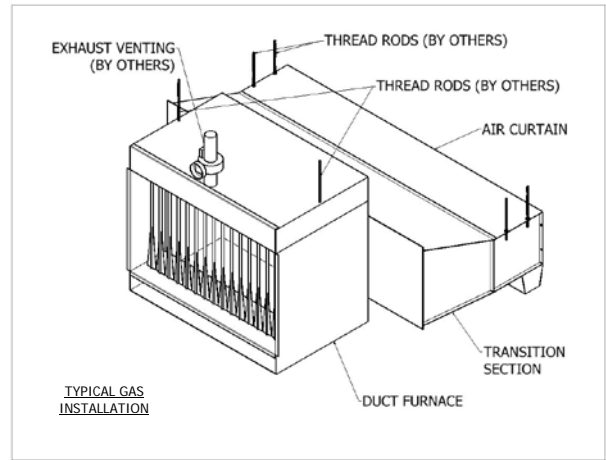


FIG. 5

The transition section(s) are shipped knocked down and are to be field assembled and installed per their supplemental instructions. (FIG. 6)

**Note:**

1. Assemble the transition section(s).
2. Measure the width of the transition section(s) to determine the installation location for the duct furnace(s).
3. The duct furnace(s) are typically hung from above, with threaded rods, in order to support the weight of the duct furnaces. The duct furnace(s) must be centered and fastened to the transition(s) with the hardware provided.
4. Move the adjustable filler plates to close gaps in the transition(s) and secure the flanges to the transitions.

All gas piping and duct furnace(s) exhaust venting should be done by a licensed pipe fitter and in accordance with local codes and regulations. Power vented exhaust duct runs should not exceed 100' for horizontal venting.

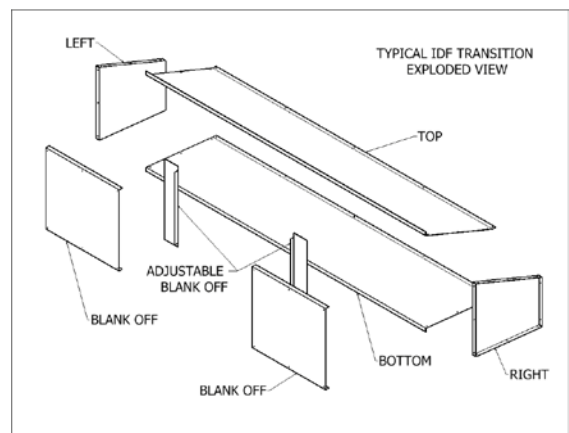


FIG. 6