

INSTALLATION INSTRUCTIONS FOR WINDGUARD® BELT DRIVE INDUSTRIAL STEAM / HOT WATER MODELS

READ INSTRUCTIONS BEFORE UNCRATING

SAVE THIS SHEET FOR FUTURE REFERENCE

PRELIMINARY

1. Carefully uncrate the unit.
2. Remove any optional items purchased that are shipped loose inside the unit. Set them aside for a later installation.
3. The motor may be serviced by removing the top access panel above the motor or by removing the front intake screen on the motor side.

WARNING: TO REDUCE THE RISK OF FIRE, ELECTRIC SHOCK OR INJURY TO PERSONS, OBSERVE THE FOLLOWING:

- A. Installation work or electrical wiring must be done by qualified person(s) in accordance with all applicable codes and standards, including fire-rated construction.
- B. The combustion airflow needed for safe operation of fuel burning equipment in the area may be affected by the unit's operation. Follow the heating equipment manufacturer's guideline and safety standards, such as those published by the National Fire Protection Association (NFPA), the American Society of Heating, Refrigeration and Air Conditioning Engineers (ASHRAE) and local code authorities.
- C. When cutting or drilling into a wall or ceiling, be careful not to damage electrical wiring and other hidden utilities.

FIGURE 1

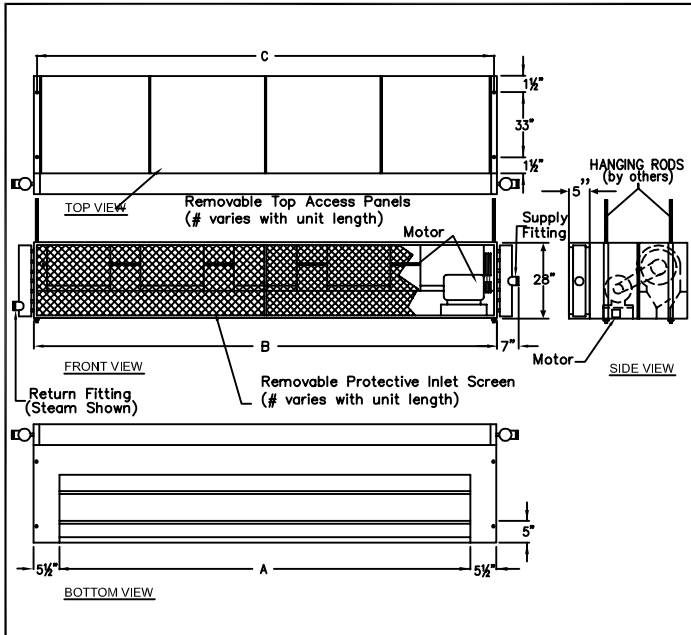
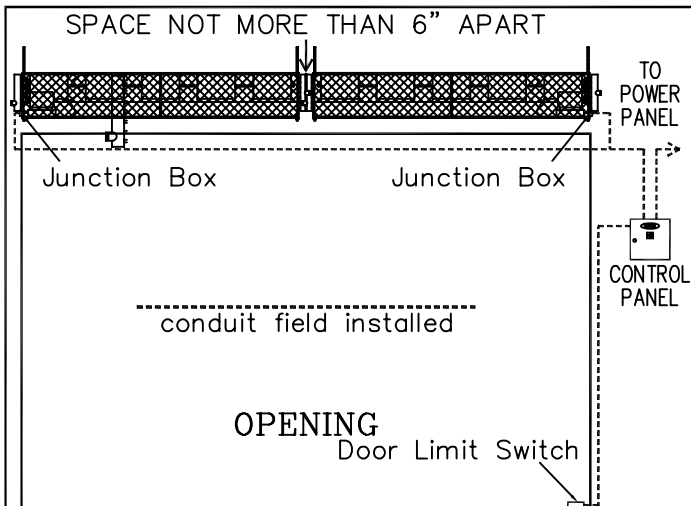


FIGURE 2



TO INSTALL THE AIR CURTAIN

1. Measure the housing, and then center it on the wall over the doorway opening.
2. The unit is equipped for overhead installation using (4) threaded rods and Heavy Duty Nuts and Washers. (By Others) The weights for each unit vary. Consult submittal sheets for weights. See Figures 1 & 3.
3. Mount the unit with the discharge nozzle 1" above the door opening. If the unit is mounted higher, move it 3/8" away from the wall for every 1" it is moved up above the door. Any void between wall and unit must be sealed for optimum performance. Rods may be used for overhead installation.
4. Use all four mounting holes when installing the housing.
5. When mounting multiple units side by side, allow no more than 6" between the units.
6. The motor, sheave and pulley are factory set and will need adjustment after two weeks of operation.
7. Connect motor to proper voltage. If the unit is three phase, check the rotation of the motor.

ADJUSTMENTS

1. Adjust the adjustable air discharge nozzle to proper position, with air flow slanted slightly outward around 10°.
2. Set air velocity control dampers so that the air stream just reaches the floor to prevent turbulent mixing of inside and outside air.
3. The unit is to be installed such that the airflow is unobstructed.

MODEL NUMBER	NOZZLE WIDTH A	OVERALL WIDTH B	MOUNTING WIDTH C
BD-**-096-XX	96"	107"	105 1/2"
BD-**-120-XX	120"	131"	129 1/2"
BD-**-144-XX	144"	155"	153 1/2"
BD-**-168-XX	168"	179"	177 1/2"
BD-**-192-XX	192"	203"	201 1/2"

** - Models available for 14', 18', 22', 26', 30' high door openings. See submittal sheets for more information

OPTIONAL CONTROL PANEL INSTALLATION

- A. Connect supply voltage from power panel to control panel. Circuit protection as per NEC by others.
- B. Connect motor leads in junction box to terminals in control panel per print. Motor control panel overloads are factory preset.
- C. Connect wires from door limit switch to terminals in control panel per print.
- D. Re-check rotation of blower wheels. Switch leads if necessary to correct. (three phase only)
- E. The door limit switch has normally closed contacts. The contacts open when the door shuts depressing the plunger turning the blowers off.

FIGURE 3

