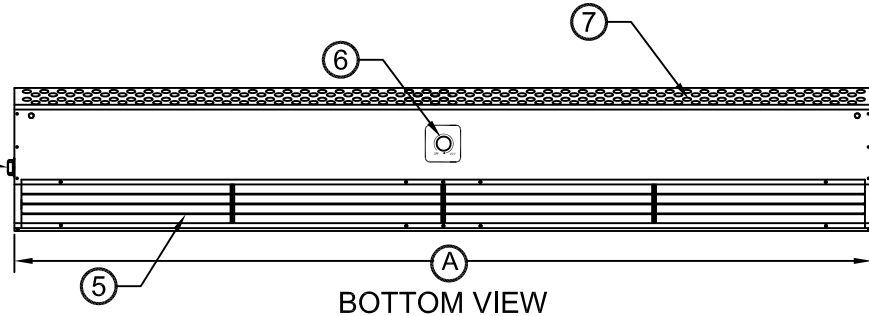
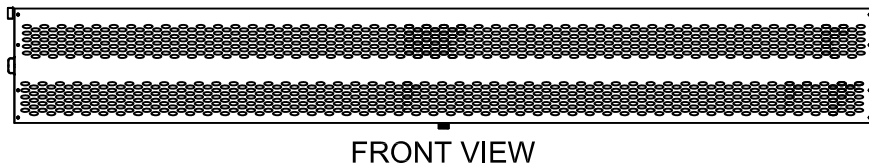
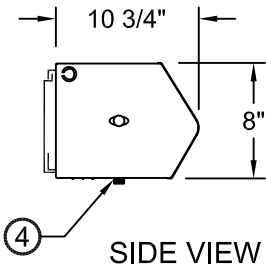
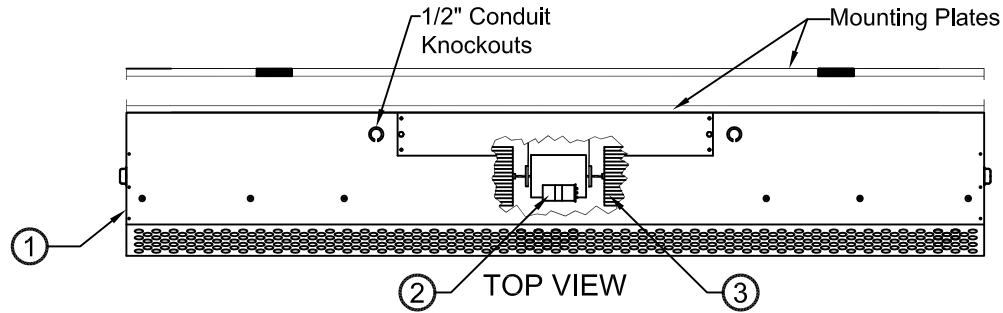


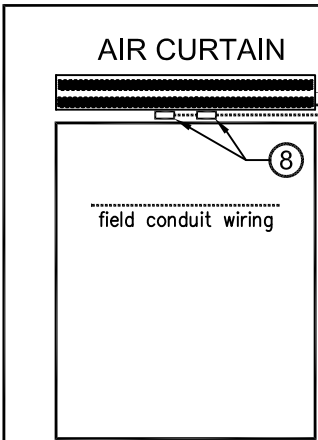
NOTES:

- ① This product is designed to meet the National Electric Code (NEC) and is ETL Listed for the US and Canada.
- ② Continuous duty, direct drive, variable speed, double shaft motors with automatic thermal overload protection. Overload protects motor from burnout, minimizing maintenance costs. Motor connected with an 8' cord, three conductor cord and plug.
- ③ Blower wheels are rust proof and dynamically balanced to provide quiet operation, while maintaining high air velocity.
- ④ Low profile appearance. Overall height is 8" and overall depth is 10 3/4".
- ⑤ Air directional vanes, with 40° sweep front to back, compensates for drafts.
- ⑥ Mounted adjustable speed controller knob allows air velocity to meet a wide range of field conditions. Units greater than 72" are double units joined with a 2" mounting bracket located in the center, field installed. The speed controller will be located on the right hand unit and controls both units.
- ⑦ All units have a self contained one piece cabinet, fire retardant and corrosion proof paint lock metal, double protected with Obsidian Black rust preventative electrostatic powdercoating.
- ⑧ Normally closed door limit switch(es) is optional and field installed. Switch to be mounted so the air curtain turns on as the door begins to open.



*BEARING CAP ADDS 1/2" TO UNIT LENGTH

MODEL NUMBER	UNIT LENGTH (A)
LPV25-1U	25"
LPV28-1U	28"
LPV30-1U	30"
LPV36-1U	36"
LPV42-1U	42"
LPV48-1U	48"
LPV60-1U	60"
LPV72-1U	72"
LPV84-2U	86"
LPV96-2U	98"
LPV108-2U	110"
LPV120-2U	122"
LPV144-2U	146"



- TYPICAL INSTALLATION**
- 1- Install Mounting plate(s) using the pre-drilled holes.
 - 2- Securely attach cabinet to mounting plate using tabs as guides, when fully inserted secure with (2) #10 Tek Screws.
"CAUTION": Unit to be mounted with the lowest moving part at least 7 Feet above floor or grade level.
 - 3- Install optional door limit switch(es) to door header. ⑧
 - 4- Plug in unit using the 3-wire cord / plug supplied.



PROJECT	Model No.:
LOCATION	Drawing No.:
ARCHITECT	Date
ENGINEER	Sheet of
	Drawn By:
	Checked By:



14716 S. BROADWAY • GARDENA, CA 90248 • USA
 TEL: (310) 532-1555 • (800) 421-1266 • FAX: (310) 324-3030
 Web Site: www.marsair.com • E-mail: info@marsair.com

JOB: _____

ARCHITECT/ENGINEER: _____

DRWG.: _____

CONTRACTOR: _____

SHEET _____ **of** _____ **DATE:** _____

MARK	MODEL NUMBER ①	NUMBER REQ'D	OVERALL LENGTH (INCHES)	MOTOR HP @ 1550 RPM**	WEIGHT (LBS)	MOTOR FAN DATA					REMARKS
						FLA* SINGLE PHASE		Max FPM** at Nozzle	Max CFM** at Nozzle	dBA Measured 10 ft. from Nozzle	
						115V	208/230V				
	LPV25-1U		25	1 @ 1/6	24	2.4	1.2/1.2	1800	625	49	
	LPV28-1U		28	1 @ 1/6	25	2.4	1.2/1.2	1800	700	49	
	LPV30-1U		30	1 @ 1/6	28	2.4	1.2/1.2	1800	750	49	
	LPV36-1U		36	1 @ 1/6	35	2.4	1.2/1.2	1800	900	49	
	LPV42-1U		42	1 @ 1/6	38	2.4	1.2/1.2	1800	1050	50	
	LPV48-1U		48	1 @ 1/6	42	2.4	1.2/1.2	1800	1200	52	
	LPV60-1U		60	1 @ 1/6	51	2.6	1.4/1.4	1800	1500	53	
	LPV72-1U		72	1 @ 1/6	61	2.6	1.4/1.4	1800	1800	53	
	LPV84-2U		86	2 @ 1/6	79	4.8	2.4/2.4	1800	2100	53	
	LPV96-2U		98	2 @ 1/6	87	4.8	2.4/2.4	1800	2400	53	
	LPV108-2U		110	2 @ 1/6	96	5.0	2.6/2.6	1800	2700	54	
	LPV120-2U		122	2 @ 1/6	105	5.2	2.8/2.8	1800	3000	54	
	LPV144-2U		146	2 @ 1/6	125	5.2	2.8/2.8	1800	3600	54	

EQUIPMENT SPECIFICATIONS – Standard Features

GENERAL

Air curtain shall be a Mars® Air Doors brand air curtain: LoPro Variable Speed Commercial unheated.

APPROVALS

Air curtain shall meet the requirements of the National Electric Code. (N.E.C.) and ETL Listed for US & Canada.

CABINET

Cabinet shall be a self contained one piece housing with sufficient strength for fastening to wall on both ends without intermediate support. Cabinet constructed of fire retardant, corrosion proof paint lock metal and double protected with Obsidian Black, baked rust preventative, electrostatic polyurethane powder coating. Discharge air outlet nozzle is internal wedge shaped containing adjustable air direction aluminum vanes with 40° sweep front to back. Motor & Fans are easily accessible for maintenance.

MOTORS AND BLOWER WHEELS

Motor(s) shall be totally enclosed air over (TEAO) type suitable for continuous heavy duty, all angle operation. Construction shall include sealed lifetime pre-lubricated ball bearings, resilient mounted and protected by an automatic reset thermal overload switch. Motor(s) to have double extended shaft and direct drive, cross flow blower wheels.

ELECTRICAL WIRING

Unit supplied with 1/2" Conduit Knockouts.

GARANTEE

Shall be 5 years on all parts.

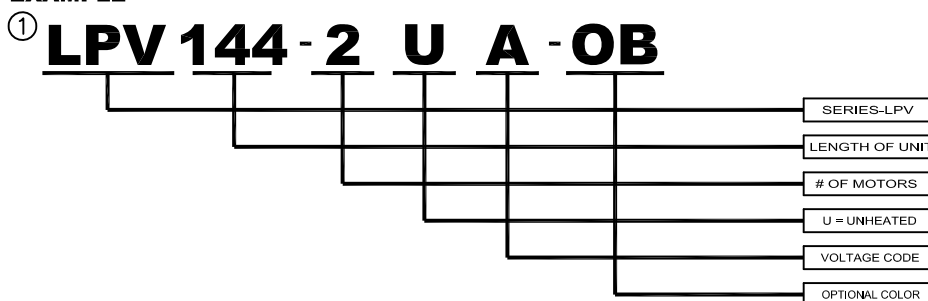
ACCESSORIES

Refer to optional features and accessories page.

*- For Ampacity Multiply FLA X 1.25

**- 17% Reduction in Performance on units with 50Hz.

EXAMPLE



SIZE	VOLTAGE	CODE
25"-144"	115/1/60	A
25"-144"	208-230/1/60	D
25"-144"	220/1/50	U

COLOR	CODE
OBSIDIAN BLACK	OB
TITANIUM SILVER	TS
PEARL WHITE	PW
SPARTAN BRONZE	SB
BATTLESHIP GRAY	BG

MADE WITH PRIDE IN THE U.S.A.