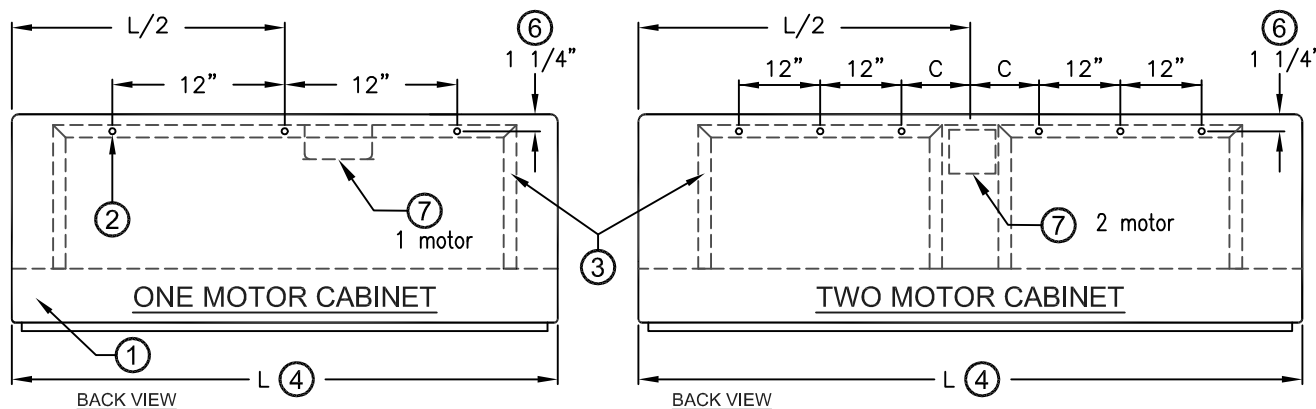


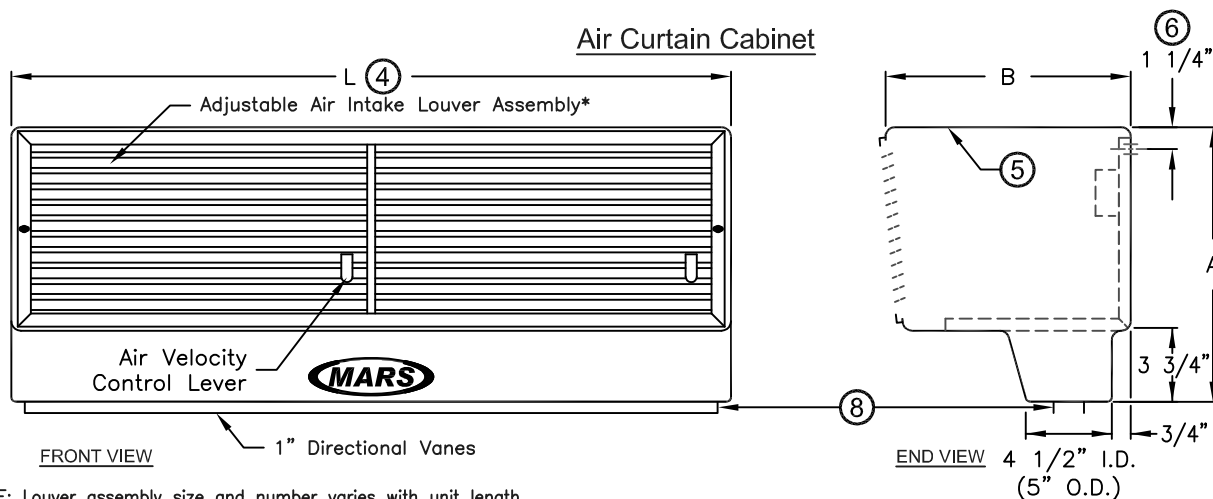
Air Curtain Mounting Bracket



NOTES:

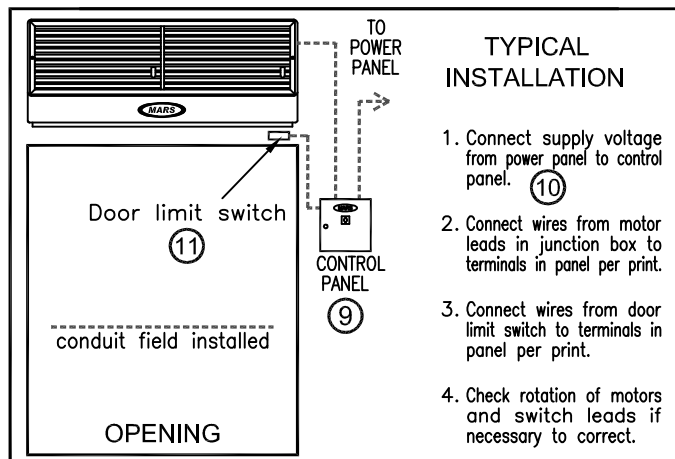
- ① This product is designed to comply with the National Electric Code (NEC), ETL listed for US & Canada, and bear the CE Mark.
- ② 7/16" mounting holes. (3) provided on one motor models, (6) provided on two motor models.
- ③ Cabinets contain an internal steel bracket with sufficient strength to provide cabinet rigidity and fastening to wall.
- ④ Model number indicates length of unit in inches, which is denoted as "L". Actual length may vary up to 1 1/4" over model number.
- ⑤ All units have a self contained one piece molded white high density polyethylene cabinet. Cabinets feature a self-extinguishing characteristic and are resistant to high humidity, chemical and climate exposures.
- ⑥ Wall mounting hole location. Model number 96CH-2 and all 1 HP models are 3 3/4".
- ⑦ Internal J-Box(es) for electrical wiring.
- ⑧ Units is to be installed such that air flow is unobstructed. Air discharge nozzle containing adjustable air directional vanes with 40° sweep front to back.
- ⑨ Optional motor control panel. Overloads are factory preset. Panels are to be shipped loose for remote mount.
- ⑩ Circuit protection as per N.E.C. by others.
- ⑪ Door limit switch is field installed and is to be wired to the control panel. Switch to be mounted such that air curtain turns on as door starts to open.

Air Curtain Cabinet



*NOTE: Louver assembly size and number varies with unit length.

MODEL NUMBER ④	NUMBER OF MOTORS	HEIGHT A	DEPTH B	MOUNTING HOLE SPACING C
36CH	1	14 3/4"	12 3/4"	-
38CH	1	14 3/4"	12 3/4"	-
42CH	1	14 3/4"	12 3/4"	-
48CH	1	14 3/4"	12 3/4"	-
60CH-2	2	14 3/4"	12 3/4"	4 3/4"
72CH-2	2	14 3/4"	12 3/4"	5"
96CH-2	2	18"	15"	12"
42CHS	1	18"	15"	-
48CHS	1	18"	15"	-
60CHS	1	18"	15"	-
96CHS-2	2	18"	15"	10"



TYPICAL INSTALLATION

1. Connect supply voltage from power panel to control panel. ⑩
2. Connect wires from motor leads in junction box to terminals in panel per print.
3. Connect wires from door limit switch to terminals in panel per print.
4. Check rotation of motors and switch leads if necessary to correct.



PROJECT	Model No.:
LOCATION	Drawing No.:
ARCHITECT	Date
ENGINEER	Sheet of
	Drawn By:
	Checked By:

MARS®
AIR SYSTEMS

14716 S. BROADWAY · GARDENA, CA 90248 · USA
TEL:(310) 532-1555 · (800) 421-1266 · FAX:(310) 324-3030
Web Site: www.marsair.com · E-mail:info@marsair.com

JOB:

ARCHITECT/ENGINEER:

DRWG.: _____

CONTRACTOR:

SHEET _____ **of** _____ **DATE:** _____

MOTOR FAN DATA														
MARK	CHICHS MODEL NUMBER	NO. REQ'D	LENGTH	WEIGHT (LBS)	MOTOR HP @ 1750 RPM**	VOLTS & PHASE	FLA*		FLA*		Max FPM** at Nozzle	Max CFM** at Nozzle	dBA Measured 10 ft. from Nozzle	REMARKS
							SINGLE PHASE		THREE PHASE					
							115V	208/230V	208/230V	460V				
	36CH		3'	50	1/2		5.1	2.5/2.5	1.8/1.6	0.8	3400	2550	63	
	38CH		3' 2"	52	1/2		5.1	2.5/2.5	1.8/1.6	0.8	3225	2550	63	
	42CH		3' 6"	55	1/2		5.1	2.5/2.5	1.8/1.6	0.8	2925	2550	63	
	48CH		4'	60	1/2		5.1	2.5/2.5	1.8/1.6	0.8	2550	2550	63	
	60CH-2		5'	95	Two 1/2		10.2	5.0/5.0	3.6/3.2	1.6	4080	5100	65	
	72CH-2		6'	105	Two 1/2		10.2	5.0/5.0	3.6/3.2	1.6	3400	5100	65	
	96CH-2		8'	130	Two 1/2		10.2	5.0/5.0	3.6/3.2	1.6	2550	5100	65	
	42CHS		3' 6"	80	1		9.0	5.0/5.0	3.3/3.2	1.6	4600	4000	69	
	48CHS		4'	85	1		9.0	5.0/5.0	3.3/3.2	1.6	4000	4000	69	
	60CHS		5'	90	1		9.0	5.0/5.0	3.3/3.2	1.6	3200	4000	69	
	96CHS-2		8'	160	Two 1		18.0	10.0/10.0	6.6/6.4	3.2	4000	8000	72	

EQUIPMENT SPECIFICATIONS – Standard Features

GENERAL

Air curtain shall be a Mars® Air Doors brand air curtain: Type "CH" & CHS Commercial Unheated Models.

APPROVALS

Air curtain shall meet the requirements of the National Electric Code. (N.E.C.), ETL Listed for US & Canada, and bear the CE mark.

CABINET

Cabinet shall be a self contained one piece molded white high density polyethylene material. Cabinets shall feature self-extinguishing characteristics and be resistant to high humidity and climatic exposures. Cabinets to contain an internal steel bracket with sufficient strength to provide cabinet rigidity and fastening to the wall. Cabinet to have mechanically field adjustable variable air intake louver assembly capable of reducing outlet air velocity up to 60% with louvers in totally closed position. Discharge air outlet nozzle shall be wedged shaped containing adjustable air directional vanes with a 40° sweep front to back. Motor/Fan assembly to be easily accessible for maintenance.

MOTORS AND BLOWER WHEELS

Motor(s) shall be totally enclosed air over (TEAO) type suitable for continuous heavy duty, all angle operation. Construction shall include sealed lifetime pre-lubricated ball bearings, resilient mounted and protected by an automatic reset thermal over-load switch. Motor(s) to have quick disconnect plugs for fast easy removal of motor/fan assembly for inspection and cleaning. Motor(s) to have double extended shaft and direct drive, double inlet, dynamically balanced forward curved squirrel cage blower wheels.

ELECTRICAL WIRING

All junction boxes are mounted internally. One motor (1) 2x4", for two motors one 4x4" junction box.

GUARANTEE

Shall be five years on all parts.

* - For Ampacity Multiply FLA X 1.25

** - 17% Reduction in Performance on units with 50HZ.

An equipment specification can be prepared by combining the standard features with the checked boxes below indicating the selection of the optional features.

OPTIONAL FEATURES

When checked below, the air curtain will be supplied with the following special features.

- Wash Down Motor (IP 54)
- Explosion Proof Motor (Class I, Division I, Group D)
- Door limit switch(es)(20 Amps) for automatic on/off controls. (NEMA 1) Turn air curtain on when the door is opened and off when the door is closed. Field installed.
 - Combination Type Plunger Type Roller Type
 - Magnetic Reed Switches (Controller Required)
 - Flush Mounted Surface Mounted

Controller for Magnetic Reed Switches (Maximum 1/2 HP total, single phase only) Control Panel required for units above 1/2 HP and/or all 3 phase.

NOTE: All 3 phase motors or single phase motors with a combined total greater than 1 HP, 20 Amps and/or voltages exceeding 250V, will require a motor control panel whenever a door limit switch is used to automatically start and stop the air curtain. A door limit switch may be used to directly control one or two 1/2 HP, single phase motors, without the use of a motor control panel.

Wall Mounted Control Panel Factory Mounted Control Panel
 Indicate the total number of motors to be powered through panel
 1 2 3 4

- Adjustable Time Delay (Control Panel Required)
- 3/8" Washable Aluminum Mesh Filter

MADE WITH PRIDE IN THE U.S.A.

CH - CHS COMMERCIAL HIGH VELOCITY UNHEATED MODELS