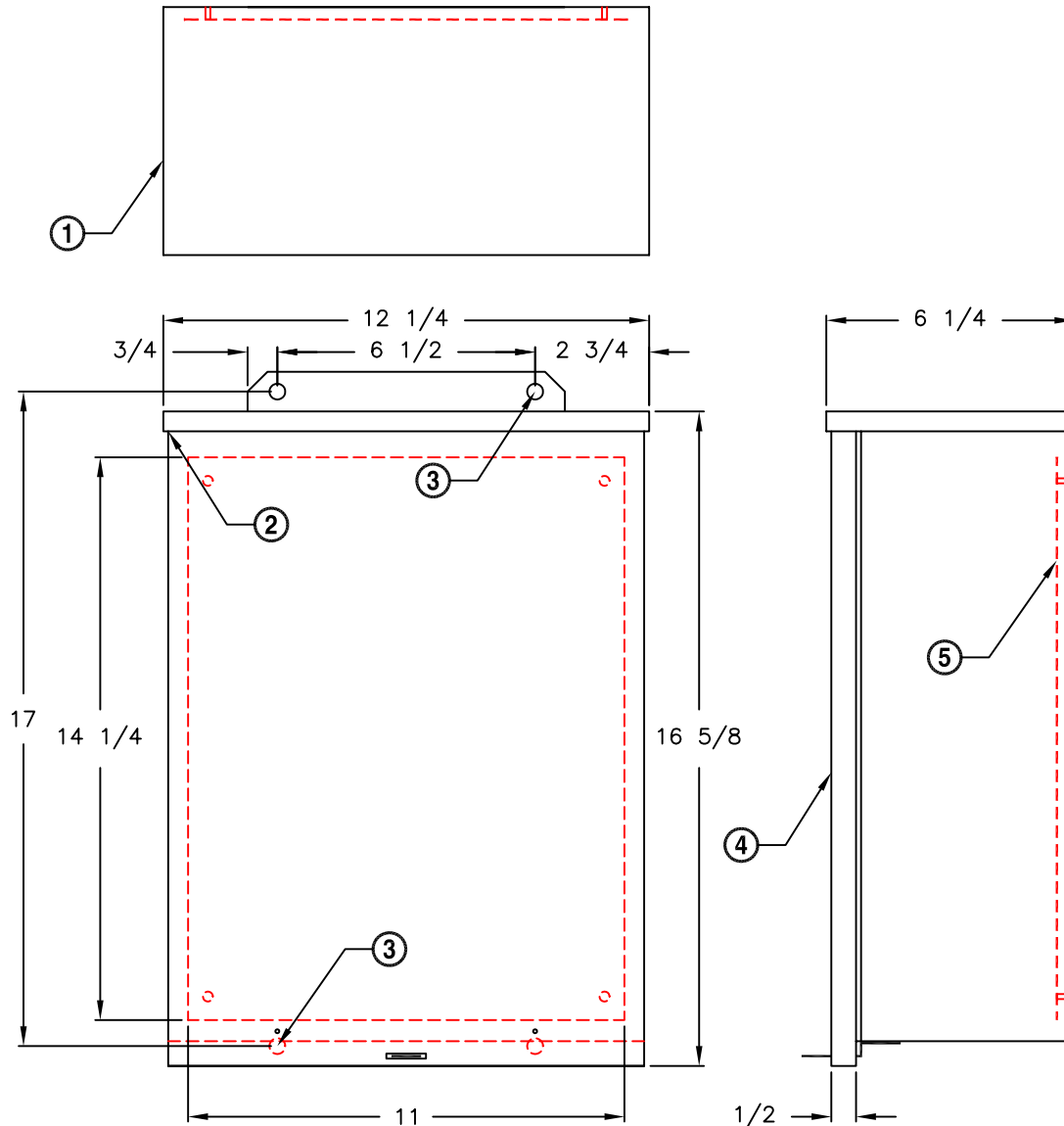


INTERFACE / CONTROL PANEL

NOTES:

- ① Interface Panel Constructed of 20 ga. G90, Galvanized Finish. Optional 400 Series Stainless Steel Available.
- ② Interface Panel is to be Rain Proof. (NEMA 3R)
- ③ (4) Mounting Holes for field installation.
- ④ Lockable Cover for Inner Plate accessing and servicing.
- ⑤ Interface Panel Inner Plate.



FIELD LOCATION AND INSTALLATION BY OTHERS

INTERFACE CONTROL PANEL	AVAILABLE INTERFACE CONTROL PANEL CONFIGURATIONS		
	DESCRIPTION OF OPERATION	VOLTS	PHASE
1033	OPERATE 2 M.U.A. & 1 EXHUAUST FAN	208/230/460	3
1034	OPERATE 2 M.U.A. FROM 1 PANEL	208/230/460	3
1035	OPERATE 2 M.U.A. & 1 EXHUAUST FAN	208/230	1
1036	OPERATE 2 M.U.A. FROM 1 PANEL	208/230	1
1037	OPERATE 1 M.U.A. & 1 EXHUAUST FAN	208/230/460	3
1038	OPERATE 1 M.U.A. & 1 EXHUAUST FAN	208/230	1
1039*	MOTOR CONTROL FOR BLOWER/EVAP COOLER	120/208/230/460	1 OR 3
1XS	ADDITIONAL STARTERS (MAX. 4 PER PANEL)	208/230/460	1 OR 3

(*) - INCLUDES AS REQUIRED MOTOR STARTER, OVERLOAD, BLOWER & PUMP RELAY, AND 24 & 120 VOLT TRANSFORMER

NOTE: All dimensions are in inches.

NET WEIGHT: 25 lbs.

PROJECT:	LOCATION:	
ENGINEER:	ARCHITECT:	
CONTRACTOR:	DATE:	PAGE: _____ of _____

ARES

A Division of Mars®Air Products
 14716 S. BROADWAY ♦ GARDENA, CA 90248
 Phone: (310) 532-1555 ♦ (800) 421-1266 ♦ Fax: (310) 324-3030
 WEB SITE: www.marsair.com ♦ E-MAIL: aresinfo@marsair.com

INTERFACE / CONTROL PANEL