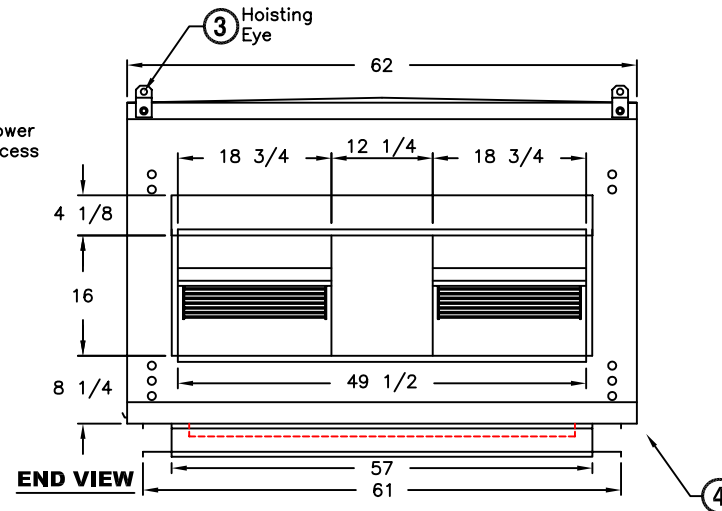
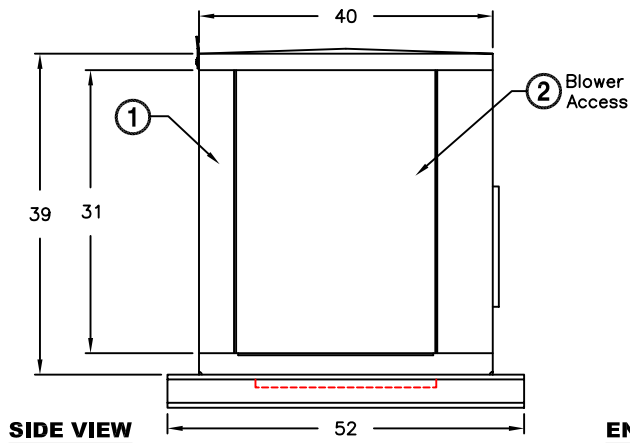
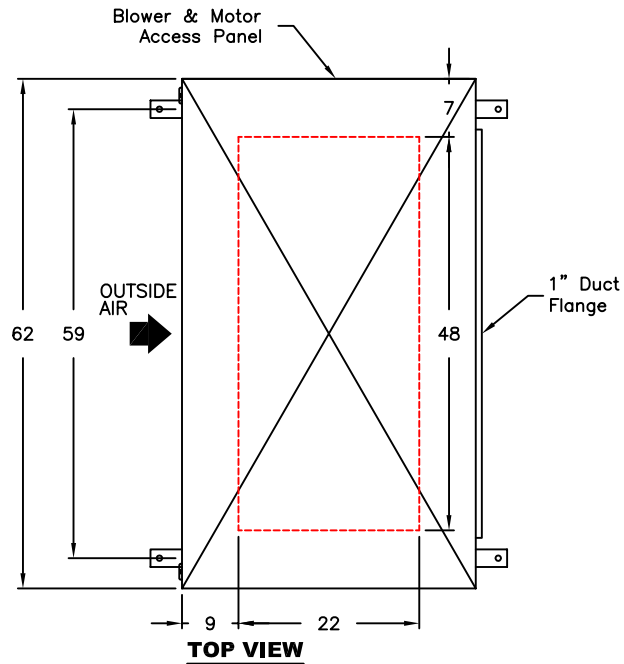


SC-3 DUAL BLOWER SECTION



NOTES:

- ① Base Unit Constructed of 20 ga. G90, Galvanized Finish. Base unit is not available with Standard Evaporative Cooling.
 - ② Solid Blower Access Panels on both side of dual blower. Outside Air Inlet open on end. High Efficiency Section required for Evaporative cooling.
 - ③ Hoisting Eyes are shipped loose for field installation. Remove outer hoisting eyes after unit is installed.
 - ④ Blower Section shown with Optional 22"x48" Return Air opening and 1" Duct Flange. Return Air Filters not available.
- *Blower Inlet for Non-Evaporative Units are Open. Inlet Dampers or Rain Hood recommended. See Options for details. Outside Air Inlet Area is 57" x 33".

NOTE: All dimensions are in inches.

NET WEIGHT: 500 lbs.

PROJECT:	LOCATION:	
ENGINEER:	ARCHITECT:	
CONTRACTOR:	DATE:	PAGE: _____ of _____

ARES
 A Division of Mars® Air Products
 14716 S. BROADWAY ♦ GARDENA, CA 90248
 Phone: (310) 532-1555 ♦ (800) 421-1266 ♦ Fax: (310) 324-3030
 WEB SITE: www.marsair.com ♦ E-MAIL: aresinfo@marsair.com

SC-3 DUAL BLOWER SECTION