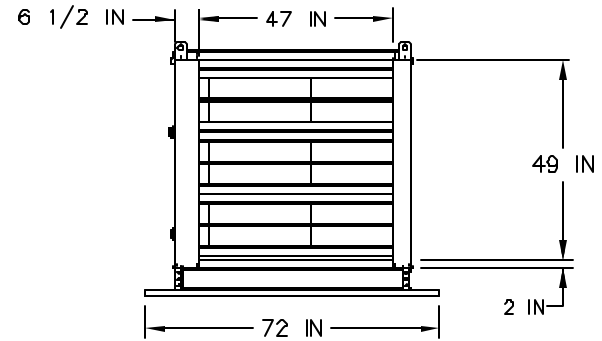
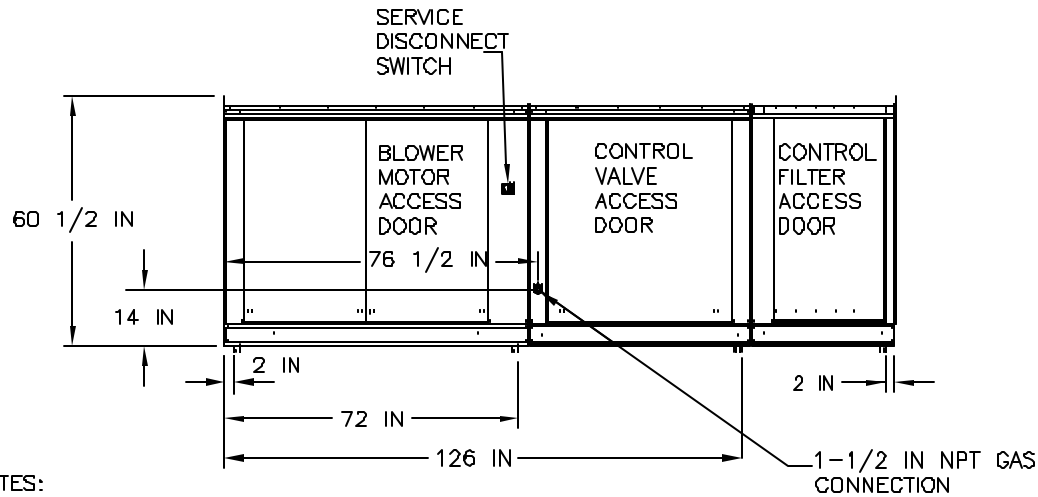
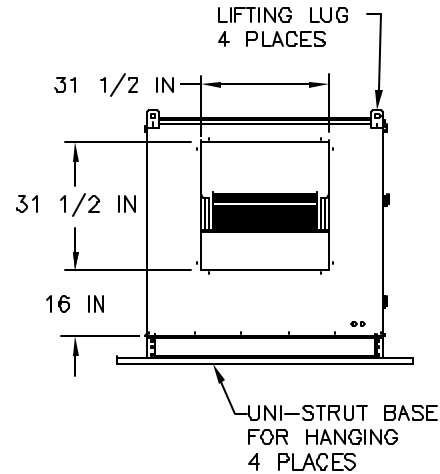
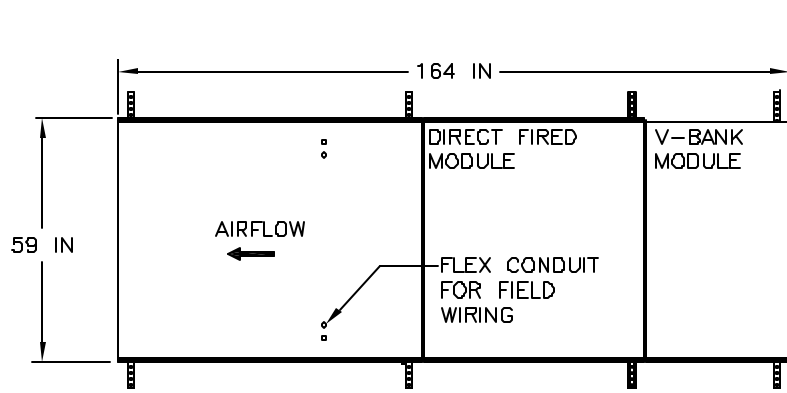


A5-D.2500-925

IN-DOOR HORIZONTAL DISCHARGE HEATED MAKE UP AIR WITH V-BANK FILTER INTAKE



- NOTES:
 1) ALL DIMENSIONS ARE NOMINAL AND GIVEN IN INCHES.
 2) RECOMMENDED DISCHARGE DUCT SIZE = 33 IN X 33 IN.

UNIT INFORMATION			
FILTER SIZE	BURNER SIZE	BLOWER SIZE	WEIGHT (lbs)
(12) 20"x25"	2,500,000	25"	1350

PROJECT:	LOCATION:		
ENGINEER:	ARCHITECT:		
CONTRACTOR:	DATE:	PAGE:	_____ of _____

ARES

A Division of Mars® Air Products
 14716 S. BROADWAY ♦ GARDENA, CA 90248
 Phone: (310) 532-1555 ♦ (800) 421-1266 ♦ Fax: (310) 324-3030