

# QuickDry Packages

Unheated

Model Lengths: 25"–36"



atmosphere is everything

14716 S. BROADWAY, GARDENA, CA 90248 • Ph: (310)532-1555 • Fax: (310)-532-3030 • [www.marsair.com](http://www.marsair.com)  
© Copyright Mars Air Systems, LLC 2014

Package Part #	Includes	Description	Unit Width (inch)	Unit Voltage	Weight (lbs)	Air Velocity (fpm)	Air Volume (cfm)	FLA (amps)
□ LPV225-1UA-WW	LPV225-1UA-TS	LPV225, 1Mtr, Unhtd, 115V, 1 $\emptyset$ , 60Hz, Titanium Silver	25	115V/1 $\emptyset$ *	20	1800	625	2.4
	98-018	Screen, Factory installed, Fingersafe Protection						
□ STD236-1UA-WW	STD236-1UA-TS	LPV236, 1Mtr, Unhtd, 115V, 1 $\emptyset$ , 60Hz, Titanium Silver	36	115V/1 $\emptyset$ *	60	2206	1379	5.1
	98-018	Screen, Factory installed, Fingersafe Protection						

\*NOTE: also available in 208-230V/1 $\emptyset$ , 208-230V/3 $\emptyset$ , and 460V/3 $\emptyset$  voltages

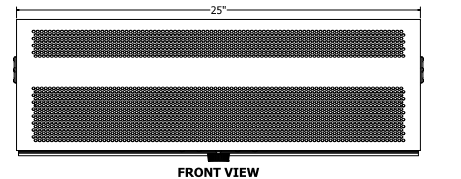
### QuickDry Package Features:

- ❖ ETL-certified to conform to UL 507 (US) and CSA 22.2 (Canada) standards for indoor and outdoor use
- ❖ Sleek self-contained one-piece heavy-gauge corrosion-proof paint lock metal design
- ❖ Fire retardant and rust preventative electrostatic polyurethane powder coating
  - Standard color is Titanium Silver (TS)
- ❖ 1/6 HP (LPV2 units) & 1/2 HP (STD2 units) continuous duty motors
- ❖ Adjustable air directional vanes with 40° sweep front to back
- ❖ 1-year parts warranty
- ❖ Freight included (FOB continental USA)
- ❖ Proudly made in the USA

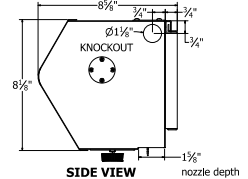
### Mars Recommended Accessories (see catalog for complete listing):

- ❖ Hot water or steam heated models
- ❖ On/off switch options
  - INS-SW, Unit mounted, factory installed
  - RMT-SW, Remote mounted, field installed (\$)
- ❖ Disconnects
  - 99-122, Non-Fused Disconnect, remote mounted, 600V, 32A, 3 Pole, IP65
- ❖ Brackets (\$)
  - 09-078, Kit, Universal Bracket, QuickDry, Set of 2, Titanium Silver
  - 09-078-SS, Kit, Universal Bracket, QuickDry, Set of 2, Stainless Steel
- ❖ Filters
  - J0525, 1/4" aluminum pressed frame bank filters, LPV225 units
  - J2136, 1/4" aluminum pressed frame bank filters, STD236 units
- ❖ Severe Duty and Finish
  - HSG-304SS-LP, 304 Stainless steel housing construction, LPV2 units
  - HSG-304SS-STD, 304 Stainless steel housing construction, STD2 units
  - INS-WD-STD2, Washdown motor fan assembly, IP54

(\$) = Shipped loose

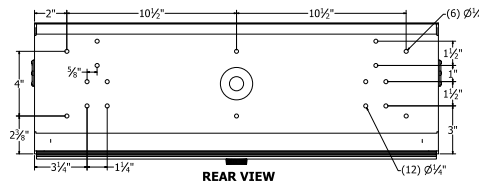


FRONT VIEW

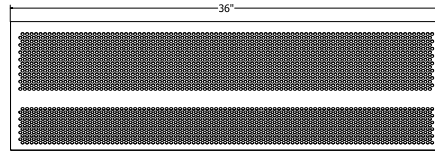


SIDE VIEW

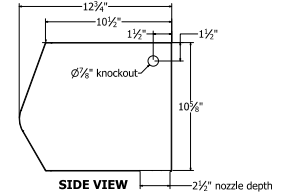
LPV225-1UA-TS



REAR VIEW

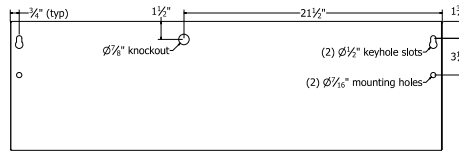


FRONT VIEW

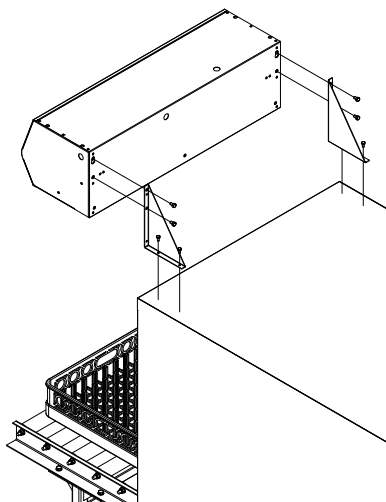


SIDE VIEW

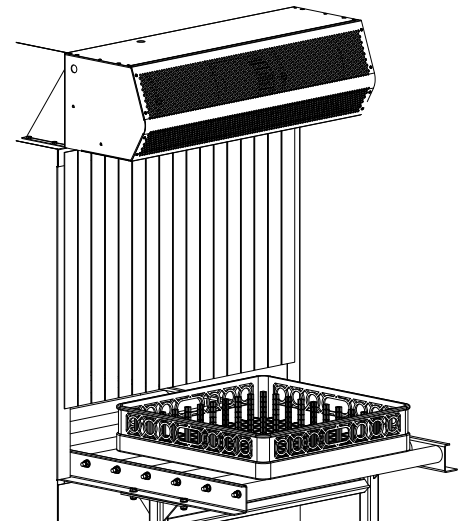
STD236-1UA-TS



REAR VIEW



Universal QuickDry Bracket Kit (09-078)



NOTE: Mars Air Systems, LLC reserves the right to change specifications and product design without notice. Such revisions do not entitle the buyer to corresponding changes, improvements, additions, or replacements for previously purchased equipment.