

Thermostats



Line voltage to low voltage Models

atmosphere is everything

14716 S. BROADWAY, GARDENA, CA 90248 • Ph: (310)532-1555 Fax: (310)-532-3030 • www.marsair.com
© Copyright Mars Air Systems, LLC 2014

Part Number	Description	Applicable Air Curtain Series
99-063	Line voltage, up to 240v, analog, single stage, single pole	All Hot Water/Steam
99-064	Line voltage, up to 240v, analog, two stage, double pole	WM/BD Electric Heat
99-264	Low voltage, 24v, digital, non-programmable, single pole, R.G.W.	All Electric Heat except WM/BD, All Gas Fired
99-186	Low voltage, 24v, digital, programmable, single pole, R.G.W.	All Electric Heat except WM/BD, All Gas Fired

Features:

- ❖ Automatic and manual control of the heat while the air curtain is energized
- ❖ Fan on/off control
- ❖ Remote mounted and field wired by others (eye level within 3 feet of the unit)
- ❖ Temperature range from 50F to 90F
- ❖ Analog Bimetal Temperature Sensing
- ❖ Thermostats are UR (UL Recognized)
- ❖ 1 year warranty

Line Voltage (99-063, 99-064)

- ❖ Line voltage, up to 240v
- ❖ Analog
- ❖ Non-programmable
- ❖ Requires Junction Box (J-Box field supplied and installed)

Low voltage (99-264)

- ❖ Low voltage (24V) control
- ❖ Digital
- ❖ Non-programmable
- ❖ Fan and Heat Control

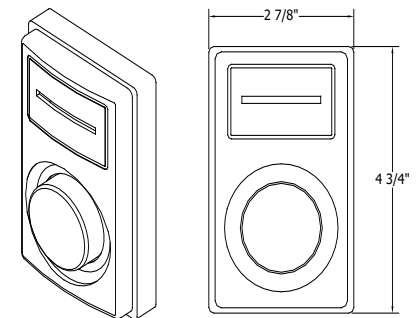
Low voltage (99-186)

- ❖ Low voltage (24V) control
- ❖ Digital
- ❖ 7-day programmable
- ❖ Fan and Heat Control

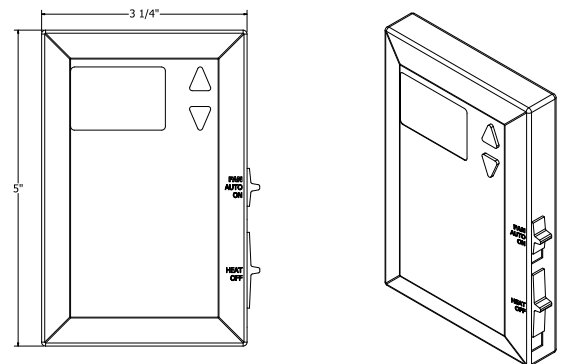
Note: Do not mount low voltage thermostat greater than 30ft from the air curtain. Mounting the low voltage thermostat too far from the air curtain may cause a voltage drop and cause chattering.

Options and Accessories:

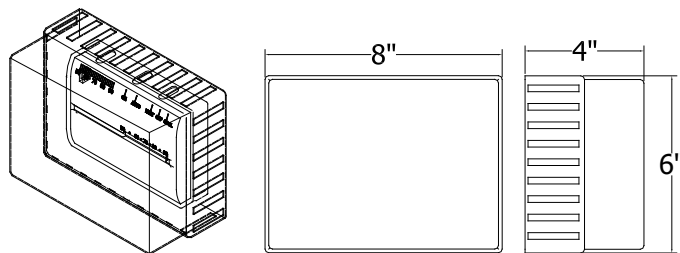
- ❖ MTD-ACC, Factory installed and wired thermostat on the air curtain housing
- ❖ 99-182, Lockable clear cover
- ❖ 99-192, Remote indoor sensor for programmable thermostat 99-186
- ❖ 99-195, Remote outdoor sensor for programmable thermostat 99-186
- ❖ 99-375, NEMA 4X Thermostat, up to 240v, analog, single stage, single pole (outdoor sensing)



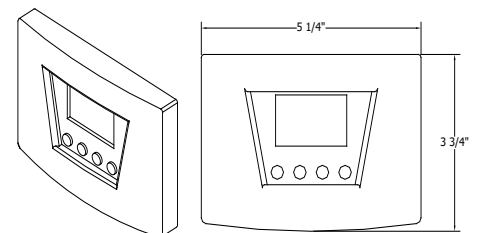
99-063 – Thermostat, 801, Line Voltage, Single Stage, Single Pole



99-264 – Thermostat, 24 Volt, Digital, Non-Programmable, Single Pole, R.G.W.



99-182 - Cover, Lockable, Clear



99-186 – Thermostat, 24 Volt, Digital, Programmable, Single Pole, R.G.W.

NOTE: MARS AIR SYSTEMS, LLC reserves the right to change specifications and product design without notice. Such revisions do not entitle the buyer to corresponding changes, improvements, additions, or replacements for previously purchased equipment.