

# EP2 (Extra Power 2) Series

Unheated

Model Lengths: 96"–144"

Environmental Separation (up to 16')

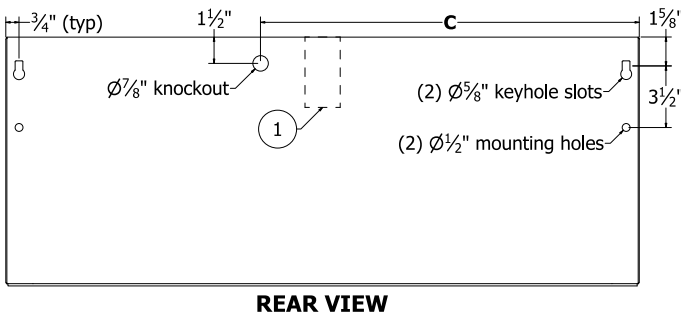
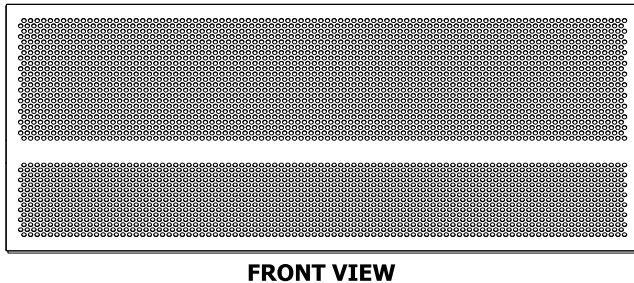
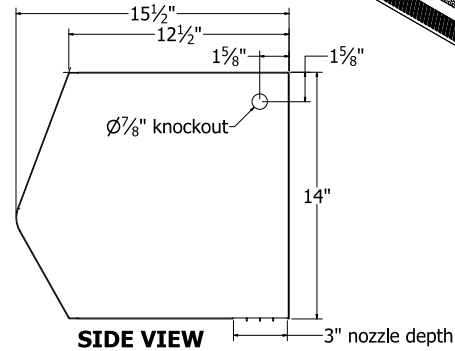
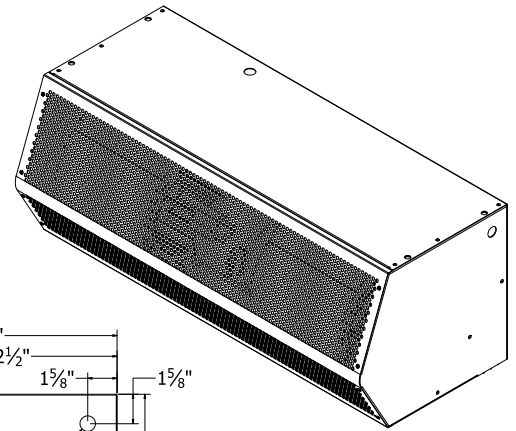
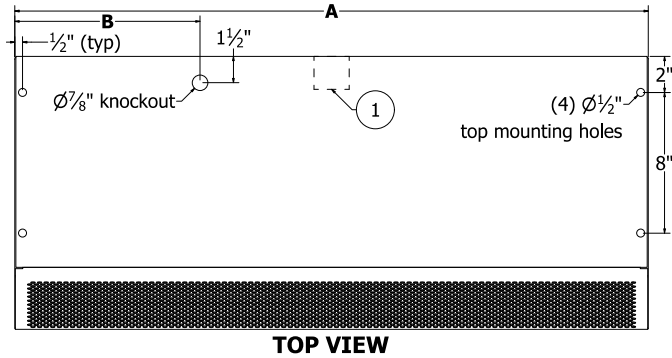
Insect Control (up to 14')



atmosphere is everything

14716 S. BROADWAY, GARDENA, CA 90248 • Ph: (310)532-1555 • Fax: (310)-532-3030 • [www.marsair.com](http://www.marsair.com)

© Copyright Mars Air Systems, LLC 2014



**Notes:**

1. Internal junction boxes provided for electrical wiring: (1) 2"x4" box for one-motor units, (1) 4"x4" box for two-motor units, (2) 4"x4" box for three-motor units.
2. Recommended service clearances are 2" to the left and right sides, 6" on top, and 18" in front of the unit.
3. Circuit protection (per NEC) to be installed by others.
4. To prevent accidental damage during operation, unit must be installed so that the bottom of the air curtain does not extend below the door header.
5. Unit can be fastened to wall on both ends without intermediate support.
6. Motor-Fan Assemblies (MFAs) are shipped loose to minimize freight damage.

Model Number	Mechanical Data						Lab Data	
	Overall Length A (in)	Nozzle Length (in)	Top Knockout Location B (in)	Rear Knockout Location C (in)	Motor (hp)	Weight (lb)	Max Velocity (fpm)	Max Volume (cfm)
<input type="checkbox"/> EP296-2U*-TS	96	96	43 ½	52 ½	(2) 3	280	4800	9600
<input type="checkbox"/> EP2108-2U*-TS	108	108	49 ½	58 ½	(2) 3	295	4200	9600
<input type="checkbox"/> EP2120-2U*-TS	120	120	55 ½	64 ½	(2) 3	305	3840	9600
<input type="checkbox"/> EP2120-3U*-TS	120	120	35 ½	44 ½	(3) 3	390	5760	14400
<input type="checkbox"/> EP2144-3U*-TS	144	144	43 ½	52 ½	(3) 3	420	4800	14400

\* – Use corresponding letters in "Electrical Data" column headers (see page 2) to complete the model numbers. Note: above data is for 60 Hz at 3450 RPM. For 50 Hz, RPM is 2850 with a 17% reduction in performance.

NOTE: Mars Air Systems, LLC reserves the right to change specifications and product design without notice. Such revisions do not entitle the buyer to corresponding changes, improvements, additions, or replacements for previously purchased equipment.

# EP2 (Extra Power 2) Series

Unheated

Model Lengths: 96"–144"

Environmental Separation (up to 16')

Insect Control (up to 14')



atmosphere is everything

14716 S. BROADWAY, GARDENA, CA 90248 • Ph: (310)532-1555 • Fax: (310)-532-3030 • [www.marsair.com](http://www.marsair.com)  
© Copyright Mars Air Systems, LLC 2014

## Standard Features:

- ❖ ETL-certified to conform to UL 507 (US) and CSA 22.2 (Canada) standards for indoor and outdoor use
- ❖ Sleek self-contained one-piece heavy-gauge corrosion-proof paint lock metal design
- ❖ Fire retardant and rust preventative electrostatic polyurethane powder coating
  - Standard color is Titanium Silver (TS)
- ❖ 3 HP continuous duty Totally Enclosed Air Over (TEAO) motors (NEMA 1)
- ❖ Adjustable air directional vanes with 40° sweep front to back
- ❖ 5-year parts warranty
- ❖ Freight included (FOB continental USA)
- ❖ Proudly made in the USA

Electrical Data Full Load Amp (FLA)	Unit Amperage (Voltage Code)		
	208-230V/3Ø (G)	460V/3Ø (H)	575V/3Ø (I)
<input type="checkbox"/> EP296-2U*-TS	16.6/15.2	7.6	6.0
<input type="checkbox"/> EP2108-2U*-TS	16.6/15.2	7.6	6.0
<input type="checkbox"/> EP2120-2U*-TS	16.6/15.2	7.6	6.0
<input type="checkbox"/> EP2120-3U*-TS	24.9/22.8	11.4	9.0
<input type="checkbox"/> EP2144-3U*-TS	24.9/22.8	11.4	9.0

\* – Use corresponding letters in "Voltage Code" column headers to complete the model numbers.

Ampacity (MCA) = total FLA x 1.25

### Alternate voltage codes with FLA data:

-380-415V/3Ø/50Hz (W) – 4.5A per motor

### Washdown motor FLA data (INS-WD-STD2):

-208-230V/3Ø/60Hz (G) – 7.8A per motor

-460V/3Ø/60Hz (H) – 3.7A per motor

### Explosion proof motor FLA data (INS-XP-STD2):

-208-230V/3Ø/60Hz (G) – 7.8A per motor

-460V/3Ø/60Hz (H) – 3.7A per motor

## Mars Recommended Accessories (see [catalog](#) for complete listing):

- ❖ **Door Limit Switches** (§)
  - 99-125, Industrial surface mounted magnetic switch (controller required)
- ❖ **Controllers**
  - MCPD-†U\*, [Motor Control Panel](#), 120V control voltage († = # of Motors, \* = Voltage Code) (§)
  - MCP-TD, Adjustable time delay, 1sec-100hr (panel required)
  - MCP-24V, Low voltage control option (panel required)
  - BMS-303, BMS for monitor and control (panel with MCP-24V required)

**Note:** Dry contact provided in panel for monitoring motor. 24Vac signal provided from panel for controlling motor.

- ❖ **Brackets** (§)
  - B0004, Adjustable mounting bracket set, 3½" clearance
  - B0008 to B0011, Extended wall mounting bracket set, 10", 16", 19", and 23" clearance respectively

- ❖ **Severe Duty and Finish**
  - HSG-304SS-HV/EP, 304 Stainless steel housing construction
  - INS-WD-HV2, Washdown motor fan assembly, IP54
  - INS-XP-HV2, Explosion resistant motor fan assembly, Class 1, Division 1, Group D (TENV)

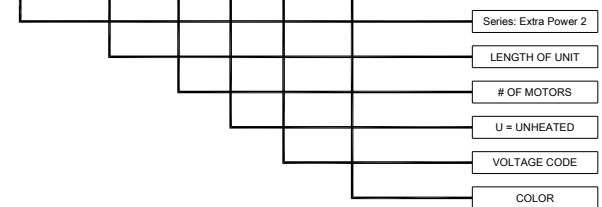
(§) = Shipped loose

## Sound Levels (measured at 10' in a free field):

1 Motor Unit = 76 dBA, 2 Motor Unit = 79 dBA, 3 Motor Unit = 81 dBA

EXAMPLE

**EP2 144-3 U H - TS**



NOTE: Mars Air Systems, LLC reserves the right to change specifications and product design without notice. Such revisions do not entitle the buyer to corresponding changes, improvements, additions, or replacements for previously purchased equipment.